



**BENCH
MADE**[®]

**OFFICIAL
SPECIALTYCUTLERY
2006CATALOG**



WELCOME!

YOU ARE HOLDING THE FUTURE OF CUTLERY IN YOUR HANDS. BETWEEN THESE PAGES ARE IMAGES OF SOME OF THE FINEST MANUFACTURED KNIVES THE WORLD HAS TO OFFER. EACH DAY THE EMPLOYEES OF BENCHMADE PLY THEIR GIFTED TALENTS AND SKILLS TO MAKING THAT NEXT KNIFE OFF THE LINE JUST A LITTLE BETTER THAN THE LAST. NOT BECAUSE THEY CAN, BUT BECAUSE THEY WANT TO. THAT IS THE DIFFERENCE BETWEEN TRADITIONAL KNIFE COMPANIES AND BENCHMADE.

OVER THE YEARS OUR MANY CUSTOMERS HAVE COME TO EXPECT MORE FROM THEIR BENCHMADES, AND WE ARE NOT ABOUT TO CHANGE THAT NOW. AROUND HERE WE HAVE A CREDO THAT SAYS, "MAKE IT COOL. MAKE IT SOLID. MAKE IT HAPPEN." SIMPLE WORDS THAT MEAN SO MUCH IN EVERYTHING WE DO HERE AT BENCHMADE.

SO WHETHER YOU'RE LOOKING TO BUY YOUR FIRST BENCHMADE, OR YOUR NEXT ONE, KNOW THAT IF IT SAYS BENCHMADE, IT'S FOR GOOD REASON. YOU HAVE MY WORD ON IT.

LES DE ASIS
FOUNDER AND OWNER



MR. WEBSTER, WE'D LIKE TO TEACH YOU ABOUT KNIVES.

WEBSTER THINKS A KNIFE IS JUST A SHARP THING THAT CUTS. WELL, WE DON'T WANT TO GIVE THE IMPRESSION THAT THAT'S ALL WE'RE MAKING OUT HERE IN OREGON CITY. WE'VE SPENT THE PAST FIFTEEN YEARS RE-INVENTING THE KNIFE, AND WE WANT PEOPLE TO RECOGNIZE THE ADVANTAGES OF PAYING A BIT MORE FOR A

BENCHMADE. SURE, KNIFE GEEKS RECOGNIZE OUR AXIS™ LOCKING MECHANISM AS ARGUABLY THE STRONGEST FOLDING LOCK EVER MADE. AND THEY KNOW ALL ABOUT HOW OUR BLADES ARE LASER CUT, NOT STAMPED, BUT THE KNIFE GUYS HAVE ALWAYS KNOWN US. WHAT WE'RE AFTER IS THE INVENTION THAT

COMPLETELY BREAKS THE COMMON CONCEPTION OF KNIVES. WE WANT EVERYONE TO RECOGNIZE THE ASTOUNDING TECHNOLOGY BEHIND OUR DECEPTIVELY SIMPLE DEVICES. AND AT THE RATE WE'RE GOING (OVER SIXTY PATENTS AND TRADEMARKS IN FIFTEEN YEARS) WE'LL BE THERE IN NO TIME.

new2006MODELS

Pace yourself—viewing

Benchmade catalogs has been known to cause grown men to act like kids again... Yessss!

(Repeat as Needed.)

new BLUE & BLACK Class

Blade Steels Upgraded—
The Best Just Got Better!



610
RUKUS™
PAGE 09



426
GRAVITATOR®
PAGE 19



32
MORPHO™
PAGE 25



151
FIXEDGRIP TILIAN®
PAGE 21



140/141
NIMRAVUS®
PAGE 32



156
CSK
PAGE 33



10115
SALMONCREEK FILLET
PAGE 37



10610
BENCHMITE® II
PAGE 39



10536BP
INSTIGATOR®
PAGE 42

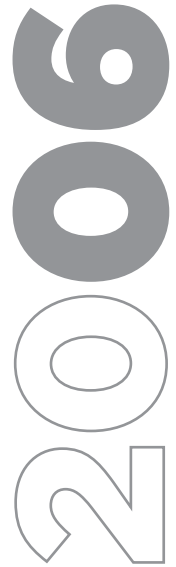


14210
HKKNIVES
PAGE 47

new

TABLE OF CONTENTS

GOLD CLASS	04 - 06
BLUE CLASS FOLDERS	07 - 20
BLUE CLASS FIXED BLADES	21 - 24
BLUE CLASS BALI-SONGS	25 - 26
BLACK CLASS FOLDERS	27 - 31
BLACK CLASS FIXED BLADES	31 - 34
RED CLASS FOLDERS	35 - 41
RED CLASS FIXED BLADES	42 - 44
HK KNIVES	45 - 48
WHAT'S IN A KNIFE?	50
FORWARD THINKING	51 - 52
INNOVATIONS IN MOVEMENT	53 - 55
ADVANCED MATERIALS	56 - 58
EXTRAS	59 - 64



MODEL FEATURE CODES

These codes appear after the Benchmade model specific numbers. They identify particular feature variations within each model. (Example: Model 140SBK is a Model 140 knife which features partially serrated ComboEdge and BK1 black corrosion resistant coating on the blade).

(NO CODE)	Plain edge/no blade coating	BT	BT2® black corrosion resistant coated blade
S	ComboEdge™ (partially serrated)/no blade coating	BP	BP1 Charcol color, scratch resistant coating
BK	Plain edge/BK1® black corrosion resistant coated blade	-TK	Tether Kydex® friction-fit sheath
SBK	ComboEdge (partially serrated)/ BK1® black corrosion resistant coated blade	W	Soft sheath for rescue hook
B	Black anti-reflective, corrosion resistant coated blade (Red Class)	ADC	Army Digital Camouflage color sheath
SB	ComboEdge (partially serrated)/ black anti-reflective coated blade (Red Class)	T	Trainer blade with red handle
OD	Olive Drab color handle	TR	Bali-song trainer with red color handle
SL	Skyline Camouflage™ patterned handle	DZ	DZ Blade Steel
SN	Sand Camouflage color handle	H2O	X15 T.N steel, 100% corrosion resistant
CF	Carbon Fiber Handle	DM	Damascus Blade
-RED	Red color handle	CP	Clam pack
SLV	Silver color handle		
-BLU	Blue color handle		
-YEL	Yellow color handle		
-BLK	Black color handle		
P	Mother-of-Pearl		
A	Abolone		

Occasionally we may do a limited edition of a model where the model number does not change but does get an addition to the ending, such as -01 or -02 (example: Gold Class 705-01 and 705-02).

Every effort is made to ensure the accuracy of the prices and information presented in this catalog. However, we reserve the right to rectify any and all errors prior to any sale transactions. This catalog is produced annually. Check website for the latest information.

Prices shown are at suggested retail (U.S. currency). Actual purchase prices may vary. All Pricing and product specifications are subject to possible change without prior notice.

GOLDCLASS

Custom designs, exotic materials, exclusive mechanisms and handcrafted detail are merely suggestions to the possibilities. The Benchmade Gold Class is not for everyone. It's for those individuals who aspire for life's great treasures, and know how to get it.



AKNIFE FOR THE REAL BLADE CONNOISSEUR

Erasing the lines between custom and manufactured, the Benchmade Gold Class is a matter of satisfying the ultimate desire. Whether it is embellishing existing designs to loftier heights, creating entirely new ones, or even crafting a one-of-a-kind experience from a collector's wish list, the Gold Class clearly sets the new standard of knife manufacturing. It's where the gloves come off, and the personal touch shapes imagination into reality.

Custom Quality Features

- Exotic Materials
- Appreciable Value
- Exclusive Mechanisms



NOTE:

GOLD CLASS products are very limited in availability and are sold on a first come, first serve basis.

4501 PRESTIGEDGES®

DE ASIS design



CHEF KNIFE

UTILITY KNIFE

PARING KNIFE



3-KNIFE SET COMES IN ATTRACTIVE PRESENTATION CASE

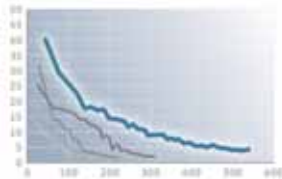
4501 DESIGNER: Les De Asis **BLADE STEEL:** Single Piece, Full-Tang 440C Stainless Steel (58-60HRC) **HANDLE SPEC:** Impregnated Real Wood Laminate; Woven Micarta Bolster; Nickel/Silver Rivet Assembly

PARING KNIFE - BLADE LENGTH: 3.50" (8.89cm) **BLADE THICKNESS:** 0.0725" (1.84mm); **OVERALL LENGTH:** 7.09" (18.01cm) **WEIGHT:** 2.10oz (60gm)

UTILITY KNIFE - BLADE LENGTH: 6.00" (15.24cm) **THICKNESS:** 0.120" (3.05mm) **OVERALL LENGTH:** 10.25" (26.04cm) **WEIGHT:** 4.80oz (136gm)

CHEF KNIFE - BLADE LENGTH: 8.00" (20.32cm) **THICKNESS:** 0.1415" (3.59mm) **OVERALL LENGTH:** 13.00" (33.00cm) **WEIGHT:** 8.50oz (241gm)

AVAILABLE BLADE CONFIGURATION:
4501 \$500 (available only as three knife set)



BENCHMADE OUTPERFORMED THE WORLD'S FINEST BY NEARLY DOUBLE THE EDGE QUALITY.



BLUECLASS

Staying true to blue, the Blue Class represents the heart of everything that is Benchmade. For years it's been where people have come to expect greatness. Whether it's folders or fixed blades, the Blue Class knife is designed and built for the individual who appreciates the difference a high-quality cutting tool can make.

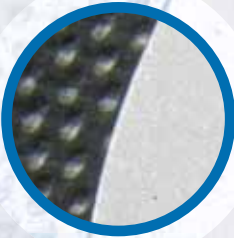
This years Blue Class introduces several new additions to get the heart pumping. From a fresh AXIS design to upgraded materials, performance has never been better.



mechanisms include unequaled levels of titanium locking-liner and monolock function. The Benchmade interpretation of what an assist opener should be is found in the form of the Optimizer. And the awe-inspiring attributes of AXIS dominate the Blue products.



materials consist of premium grade selections that enhance tool performance. Several model blade steels have been upgraded this year. Space age composites and alloys are the norm in this class.

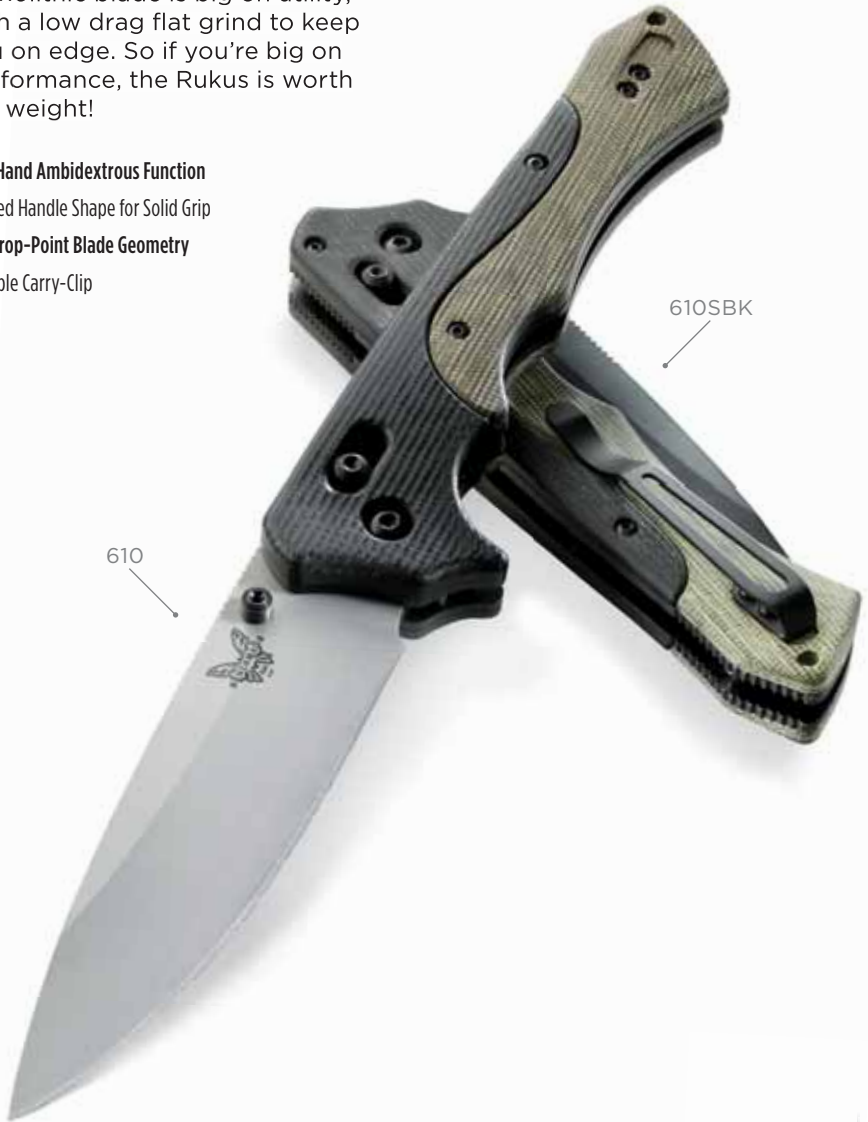


technologies create the means to the unexpected. Precision machining to NASA level tolerances not only looks good on the surface, but transcends to a solid component fit, too.

new
610 RUKUS™
BLACKWOOD design

You knew it was only a matter of time... a Blackwood design with the power of AXIS! The Rukus is big on form and function with plenty of size to take it all in. Its two-part handle assembly is machine contoured in every direction to easily satisfy any grip. The monolithic blade is big on utility, with a low drag flat grind to keep you on edge. So if you're big on performance, the Rukus is worth the weight!

- One-Hand Ambidextrous Function
- Profiled Handle Shape for Solid Grip
- Full Drop-Point Blade Geometry
- Movable Carry-Clip



610 DESIGNER: Neil Blackwood **LOCKING MECHANISM:** AXIS Lock **BLADE STYLE & OPENER:** Utility Drop-Point, Ambidextrous Dual Thumb-Studs **BLADE STEEL:** S30V Stainless Steel (58-60HRC) **BLADE LENGTH:** 4.25" (10.80cm) **BLADE THICKNESS:** 0.150" (3.82mm) **OPEN:** 10.12" (2.56.89cm) **CLOSED:** 5.95" (151.15cm) **WEIGHT:** 7.70oz (218.29gm) **HANDLE SPECS:** Black G10 and Olive Drab Micarta Scales, Double Thick 410 Stainless Steel Liners, Movable Black Stainless Steel Carry-Clip **HANDLE THICKNESS:** 0.746" (18.93mm)
BLADE CONFIGURATIONS: **610** \$250, **610SBK** \$262



newbladesteel

940

OSBORNE design

- Overall Slim Profile
- One-Hand Ambidextrous Function
- Fully Adjustable Blade Pivot
- Lightweight Everyday Carry



940DESIGNER: Warren Osborne **LOCKING MECHANISM:** AXIS Lock **BLADE STYLE & OPENER:** Modified Reverse Tanto, Ambidextrous Dual Thumb-Stud **BLADE STEEL:** S30V Stainless Steel (58-60HRC) **BLADE LENGTH:** 3.40" (8.64cm) **BLADE THICKNESS:** 0.115" (2.92mm) **OPEN:** 7.87" (19.99cm) **CLOSED:** 4.47" (11.35cm) **WEIGHT:** 2.90oz (82gm) **HANDLE SPECS:** Green Color Anodized 6061-T6 Alum.; Double 410 Stainless Steel Liners, Color Anodized Titanium Back Spacer; Movable Steel Carry-Clip **HANDLE THICKNESS:** 0.41" (1.04cm) **BLADE CONFIGURATIONS:** **940** \$195, **940SBK** \$207



newbladesteel

943

OSBORNE design

- Machined Aircraft Grade Aluminum Handles
- Precision Fit Components
- Hard Coat Anodized Handle Finish
- Movable Carry-Clip



943DESIGNER: Warren Osborne **LOCKING MECHANISM:** AXIS Lock **BLADE STYLE & OPENER:** Straight Clip-Point, Ambidextrous Dual Thumb-Stud **BLADE STEEL:** S30V Stainless Steel (58-60HRC) **BLADE LENGTH:** 3.40" (8.64cm) **BLADE THICKNESS:** 0.115" (2.92mm) **OPEN:** 7.87" (19.99cm) **CLOSED:** 4.47" (11.35cm) **WEIGHT:** 2.62oz (74gm) **HANDLE SPECS:** Black Color Anodized 6061-T6 Alum.; Double 410 Stainless Steel Liners, Color Anodized Titanium Back Spacer; Movable Steel Carry-Clip **HANDLE THICKNESS:** 0.41" (1.04cm) **BLADE CONFIGURATIONS:** **943** \$195, **943SBK** \$207



960

OSBORNE^{design}

- Custom Grade Detailing
- Machine Contoured Handles
- Polished Blade Finish
- Titanium Back Spacer



960-RED

960SLV

960DESIGNER: Warren Osborne

LOCKING MECHANISM: AXIS Lock **BLADE**

STYLE & OPENER: Modified Drop-Point,
Ambidextrous Dual Thumb-Studs

BLADE STEEL: D2 Tool Steel (59-61HRC)

BLADE LENGTH: 3.12" (7.92cm)

BLADE THICKNESS: 0.100" (2.54mm)

OPEN: 7.28" (18.49cm)

CLOSED: 4.16" (10.57cm)

WEIGHT: 2.26oz (64.50gm)

HANDLE SPECS: Color Anodized 6061-T6
Aluminum with Black G10 Inlays, Double 420
Stainless Steel Inset Liners, Blue Anodized
Titanium Backspacer, Reversible/Removable
Steel Carry-Clip

HANDLE THICKNESS: 0.3675" (0.93cm)

BLADE CONFIGURATIONS:

960-RED \$200, **960SLV** \$200



707 SEQUEL®

MCHENRY & WILLIAMS design

- Generous Drop-Point Blade Shape
- Machined Aluminum Handle Scales with G10 Inlays
- One-Hand Ambidextrous Function
- Movable Carry-Clip



707DESIGNER: Bill McHenry & Jason Williams **LOCKING MECHANISM:** AXIS Lock **BLADE STYLE & OPENER:** Modified Clip-Point; Dual Thumb Stud **BLADE STEEL:** 154CM Stainless Steel (58-60HRC) **BLADE LENGTH:** 2.95" (7.50cm) **BLADE THICKNESS:** 0.120" (3.05mm) **OPEN:** 6.75" (17.15cm) **CLOSED:** 3.80" (9.67cm) **WEIGHT:** 2.60oz (73.70gm) **HANDLE SPECS:** 6061-T6 Aluminum with Black G10 Inlays, Double Thick 410 Liners, Reversible Stainless Steel Carry-Clip **HANDLE THICKNESS:** 0.420" (10.67mm) **BLADE CONFIGURATIONS:** **707** \$150, **707S** \$150, **707SBK** \$162



newbladesteel

710

MCHENRY & WILLIAMS design

- Reverse Curve Blade Shape
- Larger Sized Folder
- Optional Blade Steel Available
- Machined G10 Handle Scales



710DESIGNER: Bill McHenry & Jason Williams **LOCKING MECHANISM:** AXIS Lock **BLADE STYLE & OPENER:** Modified Clip-Point; Dual Thumb Stud **BLADE STEEL:** D2 Tool Steel (59-61HRC) **BLADE LENGTH:** 3.90" (9.90cm) **BLADE THICKNESS:** 0.115" (2.92mm) **OPEN:** 8.80" (22.34cm) **CLOSED:** 4.90" (12.44cm) **WEIGHT:** 4.50oz (128gm) **HANDLE SPECS:** Black G10 Scales, Double 410 Stainless Steel Liners; Movable Steel Carry-Clip **HANDLE THICKNESS:** 0.48" (1.22cm) **BLADE CONFIGURATIONS:** **710D2** \$170, **710SBKD2** \$182



420 RESISTOR®

SNODY design

- Thick Handle Dimension
- Scalloped G10 Handle Onlays
- One-Hand Ambidextrous Function
- Deep Carry-Clip Position



420 DESIGNER: Mike Snody **LOCKING MECHANISM:** AXIS Lock **BLADE STYLE & OPENER:** Gotham Swaged Clip-Point; Ambidextrous Thumb-Studs **BLADE STEEL:** 154CM Stainless Steel (58-60HRC) **BLADE LENGTH:** 3.75" (9.50cm) **BLADE THICKNESS:** 0.150" (3.81mm) **OPEN:** 8.00" (20.32cm) **CLOSED:** 4.66" (11.84cm) **WEIGHT:** 5.70oz (161.59gm) **HANDLE SPECS:** Anodized Aluminum w/ G10 Over Scales; Double 420J Liners; Movable Steel Carry-Clip **HANDLE THICKNESS:** 0.72" (1.83cm) **BLADE CONFIGURATIONS:** 420 \$180, 420SBK \$192



newbladesteel

530

PARDUE design

- Less Than 2-Ounce Weight
- Ultra-Slim Profile
- One-Hand Ambidextrous Function
- Movable Carry-Clip



530 DESIGNER: Mel Pardue **LOCKING MECHANISM:** AXIS Lock **BLADE STYLE & OPENER:** Modified Spear-Point; Ambidextrous Thumb-Studs **BLADE STEEL:** 154CM Stainless Steel (58-60HRC) **BLADE LENGTH:** 3.25" (8.25cm) **BLADE THICKNESS:** 0.09" (2.28mm) **OPEN:** 7.42" (18.85cm) **CLOSED:** 4.17" (10.59cm) **WEIGHT:** 1.88oz (53.28gm) **HANDLE SPECS:** Noryl GTX 830 Scales; Double 420J Liners; Removable Steel Carry-Clip **HANDLE THICKNESS:** 0.366" (.930cm) **BLADE CONFIGURATIONS:** 530 \$100, 530SBK \$112



newblade steel

550 GRIPTILIAN® 555 MINI-GRIPTILIAN®

PARDUE design

- Two Sizes Available
- Ambidextrous Thumb-Hole Opener
- Lightweight Molded Handle
- Movable Carry-Clip
- Multiple Configurations Available



550DESIGNER: Mel Pardue **LOCKING MECHANISM:** AXIS Lock **BLADE STYLE & OPENER:** Model 550— Modified Sheepfoot; Ambidextrous Oval Thumb-Hole **BLADE STEEL:** 154CM Stainless Steel (58-60HRC) **BLADE LENGTH:** 3.45" (8.76cm) **BLADE THICKNESS:** 0.115" (2.92mm) **OPEN:** 8.07" (20.50cm) **CLOSED:** 4.62" (11.73cm) **WEIGHT:** 3.25oz (92gm) **HANDLE SPECS:** Black Glass Fill Noryl GTX®/Color Valox®; Double 410 Stainless Steel Liners; Reversible Steel Carry-Clip **HANDLE THICKNESS:** 0.64" (1.63cm) **BLADE CONFIGURATIONS:** **550** \$100, **550S** \$100, **550SBK** \$112, **550SBKOD** \$112, **550SBKSL** \$122, **550SBKSN** \$117, **550T** (440C Stainless Steel) \$75

555DESIGNER: Mel Pardue **LOCKING MECHANISM:** AXIS Lock **BLADE STYLE & OPENER:** Model 550— Modified Sheepfoot; Ambidextrous Oval Thumb-Hole **BLADE STEEL:** 154CM Stainless Steel (58-60HRC) **BLADE LENGTH:** 2.91" (7.38cm) **BLADE THICKNESS:** 0.100" (2.54mm) **OPEN:** 6.78" (17.21cm) **CLOSED:** 3.87" (9.82cm) **WEIGHT:** 2.56oz (73gm) **HANDLE SPECS:** Color Valox®; Double 410 Stainless Steel Liners; Reversible Steel Carry-Clip **HANDLE THICKNESS:** 0.51" (1.30cm) **BLADE CONFIGURATIONS:** **555** \$90, **555S** \$90, **555SBK** \$102, **555SBKOD** \$102, **550-BLU** \$90, **555S-BLU** \$90, **555-YEL** \$90, **555S-YEL** \$90



newbladesteel

551 GRIPTILIAN® 556 MINI-GRIPTILIAN®

PARDUE design

- Two Sizes Available
- Ambidextrous Thumb-Stud Opener
- Grip Textured Molded Handle
- Premium AXIS Function
- Multiple Configurations Available



551S

556



551T

551SBKSL

551SBKOD

551DESIGNER: Mel Pardue **LOCKING MECHANISM:** AXIS Lock **BLADE STYLE & OPENER:** Model 551— Modified Drop-Point; Dual Thumb-Stud **BLADE STEEL:** 154CM Stainless Steel (58-60HRC) **BLADE LENGTH:** 3.45" (8.76cm) **BLADE THICKNESS:** 0.115" (2.92mm) **OPEN:** 8.07" (20.50cm) **CLOSED:** 4.62" (11.73cm) **WEIGHT:** 3.25oz (92gm) **HANDLE SPECS:** Black Glass Fill Noryl GTX®/Color Valox®; Double 410 Stainless Steel Liners; Reversible Steel Carry-Clip **HANDLE THICKNESS:** 0.64" (1.63cm) **BLADE CONFIGURATIONS:** **551** \$100, **551S** \$100, **551SBK** \$112, **551SBKOD** \$112, **551SBKSL** \$122, **551SBKSN** \$117, **551T** (440C Stainless Steel) \$75

556DESIGNER: Mel Pardue **LOCKING MECHANISM:** AXIS Lock **BLADE STYLE & OPENER:** Model 556- Modified Drop-Point; Dual Thumb-Stud **BLADE STEEL:** 154CM Stainless Steel (58-60HRC) **BLADE LENGTH:** 2.91" (7.38cm) **BLADE THICKNESS:** 0.100" (2.54mm) **OPEN:** 6.78" (17.21cm) **CLOSED:** 3.87" (9.82cm) **WEIGHT:** 2.56oz (73gm) **HANDLE SPECS:** Color Valox®; Double 410 Stainless Steel Liners; Reversible Steel Carry-Clip **HANDLE THICKNESS:** 0.51" (1.30cm) **BLADE CONFIGURATIONS:** **556** \$90, **556S** \$90, **556SBK** \$102, **556SBKOD** \$102, **556-BLU** \$90, **556S-BLU** \$90, **556-YEL** \$90, **556S-YEL** \$90



newbladesteel

553 GRIPTILIAN® TANTO 557 MINI-GRIPTILIAN® TANTO

PARDUE design

- Two Sizes Available
- Enhanced Blade-Tip Strength Design
- One-Hand Ambidextrous Function
- Stainless Steel Liners
- Movable Carry-Clip

GRIP



553S

557SBK

553DESIGNER: Mel Pardue **LOCKING MECHANISM:** AXIS Lock **BLADE STYLE & OPENER:** Tanto, Dual Thumb Stud **BLADE STEEL:** 154CM Stainless Steel (58-60HRC) **BLADE LENGTH:** 3.45" (8.76cm) **BLADE THICKNESS:** 0.115" (2.92mm) **OPEN:** 8.07" (20.50cm) **CLOSED:** 4.62" (11.73cm) **WEIGHT:** 3.25oz (92gm) **HANDLE SPECS:** Black Glass Fill Noryl GTX®/Color Valox®; Double 410 Stainless Steel Liners; Reversible Steel Carry-Clip **HANDLE THICKNESS:** 0.64" (1.63cm)
BLADE CONFIGURATIONS: 553 \$100, 553S \$100, 553SBK \$112, 553SBKOD \$112, 553SBKSN \$117

557DESIGNER: Mel Pardue **LOCKING MECHANISM:** AXIS Lock **BLADE STYLE & OPENER:** Tanto, Dual Thumb Stud **BLADE STEEL:** 154CM Stainless Steel (58-60HRC) **BLADE LENGTH:** 2.91" (7.38cm) **BLADE THICKNESS:** 0.100" (2.54mm) **OPEN:** 6.78" (17.21cm) **CLOSED:** 3.87" (9.82cm) **WEIGHT:** 2.67oz (75.70gm) **HANDLE SPECS:** Color Valox®; Double 410 Stainless Steel Liners; Reversible Steel Carry-Clip **HANDLE THICKNESS:** 0.51" (1.30cm)
BLADE CONFIGURATIONS: 557 \$90, 557S \$90, 557SBK \$102, 557SBKOD \$102, 557SBKSN \$107



670 APPARITION®

OSBORNE design

- Option of Spring Assist or Manual Opening
- Attractive Bolstered Handle Design
- Locking-Liner Mechanism
- Removable carry-Clip



670



OPTIMISER® GIVES THE USER THE INDIVIDUAL CHOICE OF ASSISTED OR MANUAL BLADE OPENING. SIMPLY REMOVE SPRING BAR FOR NON-ASSISTED OPENING.

670DESIGNER: Warren Osborne

LOCKING MECHANISM: Modified Locking-Liner w/ Optimiser

BLADE STYLE & OPENER: Wharncliff; Thumb-Stud

BLADE STEEL: 154CM Stainless Steel (58-60HRC)

BLADE LENGTH: 3.40" (8.64cm)

BLADE THICKNESS: 0.120" (3.05mm)

OPEN: 7.82" (19.86cm)

CLOSED: 4.39" (11.15cm)

WEIGHT: 4.50oz (127.57gm)

HANDLE SPECS: Cast Stainless Steel Bolster; Molded Scales; Double 420J Stainless Steel Liners; Removable Steel Carry-Clip

HANDLE THICKNESS: 0.57" (1.45cm)

BLADE CONFIGURATIONS:

670 \$150, **670S** \$150

630 SKIRMISH™

BLACKWOOD_{design}

- Near Custom Grade Detailed Finish
- Notably Smooth Monolock Function
- Titanium Handles
- Removable Carry-Clip



630DESIGNER: Neil Blackwood **LOCKING MECHANISM:** Monolock **BLADE STYLE & OPENER:** Modern Reverse Curve Interpretation; Ambidextrous Thumb-Holes **BLADE STEEL:** S30V Stainless Steel (58-60HRC) **BLADE LENGTH:** 4.3" (11.43cm) **BLADE THICKNESS:** 0.160" (4.06mm) **OPEN:** 9.70" (24.45cm) **CLOSED:** 5.50" (13.97cm) **WEIGHT:** 6.84oz (195.61gm) **HANDLE SPECS:** Bead Blast/Anodized 6AL 4V-Titanium Scales; Removable Steel Custom Carry-Clip **HANDLE THICKNESS:** 0.47" (1.19cm) **BLADE CONFIGURATIONS:** 630 \$250, 630BK \$262

635 MINI-SKIRMISH™

BLACKWOOD_{design}

- Flawless Titanium Monolock Function
- Ultra-Premium Grade Blade Steel
- Open Body Barrel Spacer Design
- Removable Carry-Clip



630DESIGNER: Neil Blackwood **LOCKING MECHANISM:** Monolock **BLADE STYLE & OPENER:** Modern Reverse Curve Interpretation; Ambidextrous Thumb-Holes **BLADE STEEL:** S30V Stainless Steel (58-60HRC) **BLADE LENGTH:** 3.43" (8.71cm) **BLADE THICKNESS:** 0.130" (3.30mm) **OPEN:** 7.73" (19.63cm) **CLOSED:** 4.30" (10.92cm) **WEIGHT:** 3.92oz (111.13gm) **HANDLE SPECS:** Bead Blast 6AL 4V-Titanium Scales, Removable Steel Custom Carry-Clip **HANDLE THICKNESS:** 0.435" (11.05mm) **BLADE CONFIGURATIONS:** 635 \$210

425 GRAVITATOR®

SNODY design

- Distinctive Blade Shape and Overall Design
- Bolstered, Custom Look Handle
- Titanium Locking-Liner Function
- 2005 Shooting Industry Knife of the Year



425DESIGNER: Mike Snody **LOCKING MECHANISM:** Modified Locking-Liner **BLADE STYLE & OPENER:** Modified Wharncliff, Ambidextrous Thumb Stud **BLADE STEEL:** 154CM Stainless Steel (58-60HRC) **BLADE LENGTH:** 3.50" (8.90cm) **BLADE THICKNESS:** 0.145" (3.68mm) **OPEN:** 8.28" (21.03cm) **CLOSED:** 4.77" (12.12cm) **WEIGHT:** 4.50oz (127.57gm) **HANDLE SPECS:** Black G10 Scales with Silver G10 Bolsters, Double Thick Titanium Liners, Removable Steel Carry-Clip **HANDLE THICKNESS:** 0.587" (14.91mm) **BLADE CONFIGURATIONS:** **425** \$170, **425BK** \$182, **425SBK** \$182

newbladestyle

426 GRAVITATOR®

SNODY design

- New Blade Shape Offering
- Thumb-Stud Opener
- Machined G10 Handle Scales
- Removable Carry-Clip



426DESIGNER: Mike Snody **LOCKING MECHANISM:** Modified Double-Thick Titanium Locking-Liner **BLADE STYLE & OPENER:** Modified Drop-Point, Ambidextrous Thumb Stud **BLADE STEEL:** 154CM Stainless Steel (58-60HRC) **BLADE LENGTH:** 3.46" (8.78cm) **BLADE THICKNESS:** 0.146" (3.71mm) **OPEN:** 8.23" (20.90cm) **CLOSED:** 4.77" (12.12cm) **WEIGHT:** 4.54oz (128.70gm) **HANDLE SPECS:** Black G10 Scales with Silver G10 Bolsters, Double Thick 6AL 4V Titanium Liners, Steel Barrel Spacers Removable Steel Carry-Clip **HANDLE THICKNESS:** 0.587" (14.91mm) **BLADE CONFIGURATIONS:** **426** \$170, **426BK** \$182, **426SBK** \$182

440 OPPORTUNIST®

OSBORNE design

- Ultra-Premium Grade Blade Steel
- Machined Jig-Patterned Aluminum Handles
- Stabilized Real Wood Handle Onlays
- Lightweight Everyday Pocket Carry
- Lanyard Pin



440

440 DESIGNER: Warren Osborne

LOCKING MECHANISM: Modified Locking-Liner

BLADE STYLE & OPENER: Modified Wharcliff, Thumb Stud

BLADE STEEL: S30V (58-60HRC)

BLADE LENGTH: 2.99" (7.59cm)

BLADE THICKNESS: 0.114" (2.90mm)

OPEN: 6.83" (17.35cm)

CLOSED: 3.34" (8.48cm)

WEIGHT: 1.70oz (48.20gm)

HANDLE SPECS: Anodized 6061-T6 Aluminum with Jig Pattern, Stabilized Wood Scales, 6AL-4V Titanium Liners

HANDLE THICKNESS: 0.485" (12.32mm)

BLADE CONFIGURATIONS: 440 \$150

new

151 FIXEDGRIPTILIAN®

PARDUE design

Improve your “gripping” power... Built on the overwhelming success of the Griptilian folders, the fixed blade design can hold its own. Molded handle scales with “grippy” soft rubber inserts are a nice combination applied to a proven handle shape. The drop-pointed, full-grind blade packs more utility than you will ever need no matter how far you venture off the path. Look to the Grip to fix your outdoor knife demands.

- Mid-Sized for Comfortable Carry

- Optimum Utility Oriented Blade Style

- Multi-Feature Sheath Design

- High Value Price Point



151SBK

151

151 DESIGNER: Mel Pardue

BLADE STYLE: Modified Drop-Point

BLADE STEEL: 154CM Stainless Steel (58-60HRC)

BLADE LENGTH: 4.16" (10.56cm)

BLADE THICKNESS: 0.119" (3.03mm)

WEIGHT: 4.60oz (130.41gm)

HANDLE SPECS: Black Color; Glass Reinforced Nylon With Santoprene™ Insert

HANDLE THICKNESS: 0.581" (1.47cm)

SHEATH: New MOLLE Compatible; Low Profile Ballistic Nylon; Molded Kydex® Thermoplastic Insert

OVERALL LENGTH: 8.72" (22.15cm)

BLADE CONFIGURATIONS: 151 \$100,

151SBK \$112



151 SHEATH

newsheath
210TK ACTIVATOR®
SNODY design

- Form Fitted Sheath for Tether Carry with Adjustable Knife Draw Tension
- Custom Grade Styling



210DESIGNER: Mike Snody **BLADE STYLE:** Drop-Point Utility **BLADE STEEL:** S30V Premium Stainless Steel (58-60HRC) **BLADE LENGTH:** 2.125" (5.40cm) **BLADE THICKNESS:** 0.140" (3.56mm) **WEIGHT:** 2.50oz (70.87gm) **HANDLE SPECS:** Carbon Fiber Bolster w/ Silver G10 scales **HANDLE THICKNESS:** 0.392" (9.96mm) **SHEATH:** Kydex® Snap-Fit Tether Sheath **SHEATH WEIGHT:** 0.90oz (25.51gm) **OVERALL LENGTH:** 7.45" (18.92cm) **BLADE CONFIGURATIONS:** 210TK \$160

newfeatures
211 ACTIVATOR®
SNODY design

- D2 Tool Steel Full-Tang Blade
- Stabilized Real Wood Handle Scales
- Belt Carry Leather Sheath



211DESIGNER: Mike Snody **BLADE STYLE:** Drop-Point Utility **BLADE STEEL:** D2 Tool Steel (59-61HRC) **BLADE LENGTH:** 2.125" (5.40cm) **BLADE THICKNESS:** 0.140" (3.56mm) **WEIGHT:** 2.40oz (68.04gm) **HANDLE SPECS:** Full-Tang; Wine Wood Scales **HANDLE THICKNESS:** 0.392" (9.96mm) **SHEATH:** Deep-Pocket Textured Black Leather Belt-Carry **SHEATH WEIGHT:** 1.50oz (42.52gm) **OVERALL LENGTH:** 6.50" (16.51cm) **BLADE CONFIGURATIONS:** 211 \$100

100SH20

BENCHMADE design

- Super Corrosion Resistant Blade Steel
- Available Handle Scale Options
- Multi-Feature Molded Sheath



100SH20-BLK

100SH20

100DESIGNER: Benchmade **BLADE STYLE:** Modified Sheep's Foot **BLADE STEEL:** X15 T.N Stainless Steel (58-60HRC) **BLADE LENGTH:** 3.23" (8.32cm) **BLADE THICKNESS:** 0.114" (2.90mm) **WEIGHT:** 4.00oz (128gm) **HANDLE SPECS:** Full-Tang; Day-glow Yellow Kydex or Black G10 Scales **HANDLE THICKNESS:** 0.58" (1.48cm) **SHEATH:** Molded Kydex/Thermoplastic; Reversible Lash Tab Carry-Clip **OVERALL LENGTH:** 7.50" (19.50cm) **BLADE CONFIGURATIONS:** **100SH20** \$120, **100SH20-BLK** \$120

220 FIXEDRESISTOR®

SNODY design

- Thick, Full-Tang Blade
- Molded Belt Carry Sheath
- Skeletonized Handle for Balance and Grip
- Mid-Sized for Comfortable Carry, Even Active



220

220SBK

220DESIGNER: Mike Snody **BLADE STYLE:** Gotham Swedged Clip-Point **BLADE STEEL:** 154CM Stainless Steel (58-60HRC) **BLADE LENGTH:** 3.40" (8.64cm) **BLADE THICKNESS:** 0.160" (4.06mm) **WEIGHT:** 4.56oz (129.27gm) **HANDLE SPECS:** Full-Tang; Skeletonized G10 Scales **HANDLE THICKNESS:** 0.51" (12.95mm) **SHEATH:** Molded Kydex® w/Belt Loop **OVERALL LENGTH:** 7.45" (18.92cm) **BLADE CONFIGURATIONS:** **220** \$150, **220SBK** \$162

newbladesteel

180 OUTBOUNDER®

MC HENRY & WILLIAMS design

- D2 Tool Steel for Improved Performance
- Optimum Design for Generous Utility
- Stabilized Real Wood Handle Scales
- Leather Belt Carry Sheath



180 DESIGNER: Bill McHenry & Jason Williams **BLADE STYLE:** Drop-Point **BLADE STEEL:** D2 Tool Steel (59-61HRC) **BLADE LENGTH:** 3.75" (9.53cm) **BLADE THICKNESS:** 0.125" (3.18mm) **WEIGHT:** 3.30oz (94gm) **HANDLE SPECS:** Full, Taper-Tang; Stabilized Hardwood Rose Color Scales **HANDLE THICKNESS:** 0.56" (1.42cm) **SHEATH:** Dyed Leather with Belt-Loop **OVERALL LENGTH:** 7.45" (18.92cm) **BLADE CONFIGURATIONS:** 180 \$115

newbladesteel

190 DROP-POINT HUNTER

BENCHMADE design

- D2 Tool Steel for Improved Performance
- Enhanced Palm Swell for Added Grip
- Enlarged Finger Safety Guard
- Leather Belt Carry Sheath with Snap Over



190 DESIGNER: Benchmade **BLADE STYLE:** Drop-Point **BLADE STEEL:** D2 Tool Steel (59-61HRC) **BLADE LENGTH:** 3.90" (9.91cm) **BLADE THICKNESS:** 0.125" (3.175mm) **WEIGHT:** 4.50oz (128gm) **HANDLE SPECS:** Full-Tang; Contour Sculpted Stabilized Wood **HANDLE THICKNESS:** 0.78" (1.98cm) **SHEATH:** Stitched Leather with Belt Loop; Color Dyed; Snap Over Strap **OVERALL LENGTH:** 7.45" (18.92cm) **BLADE CONFIGURATIONS:** 190 \$115

new
32 MORPHO™
BENCHMADE design

BMK raises the bar on Bali once more! A patented liner-sprung latch opens with a squeeze, yet locks open, too. Solid, machined slab construction is built on jeweled liners. Heat-treated kicker pins keep things rockin' hard and fast, and a practical blade shape is detailed out with a crowned blade spine. Others may get all the press, but Benchmade still owns the glory when it comes to Balis and the 32 proves it. Again.

Compact Overall Design

Machined Skeletonized G10 Handle Scales

Next Generation Kicker-Pin Technology

Titanium Carry-Clip



32DESIGNER: Benchmade
LOCKING MECHANISM: Next Generation Spring Latch
BLADE STYLE: Crowned Modified Spear-Point
BLADE STEEL: D2 Tool Steel (59-61HRC)
BLADE LENGTH: 3.25" (8.26cm)
BLADE THICKNESS: 0.100" (2.57mm)
OPEN: 7.29" (18.52cm)
CLOSED: 4.39" (11.15cm)
WEIGHT: 2.70oz (76.54gm)
HANDLE SPECS: Machined and Skeletonized Black G10 Scales, 6AL 4V Blue Anodized and Jeweled Liners, 6AL 4V Blue Anodized and Laser Engraved Movable Titanium Carry-Clip
HANDLE THICKNESS: 0.443" (11.25mm)
BLADE CONFIGURATIONS: **32** \$210

newbladesteel

42 BALI-SONG® 40TR BALI-SONG®

BENCHMADE design

- Practical Weehawk Blade Shape
- Skeletonized Titanium Handles
- Spring Latch for Easy Open
- Unparalleled Benchmade Fit and Finish
- Matching Trainer Model for Safer Practice



42 DESIGNER: Benchmade LOCKING MECHANISM: Integrated Spring Latch BLADE STYLE: Weehawk BLADE STEEL: 154CM Stainless Steel (58-60HRC) BLADE LENGTH: 4.20" (10.67cm) BLADE THICKNESS: 0.125" (3.18mm) OPEN: 9.40" (23.88cm) CLOSED: 5.20" (13.21cm) WEIGHT: 4.10oz (116gm) HANDLE SPECS: Skeletonized Cast 6AL-4V Titanium HANDLE THICKNESS: 0.51" (1.30cm) SHEATH: Soft; Belt Carry BLADE CONFIGURATIONS: **42** \$220

40TR Same Size, Weight And Balance As Titanium Model 40 Series; Skeletonized Trainer Safe Blade (440C Stainless Steel) BLADE CONFIGURATIONS: **40TR** \$180

BLACKCLASS

It represents the most commonly used knives by professionals where life and death situations are often all in a day's work, so the tools they use must be up to the challenge as well. From Law Enforcement and Public Safety to elite Military troops, our obligation is still the same, the best tools for the job. Imagine what they can do in your world.



The professional users will make good use of some new tools in this years Black Class. Presidios' continue to build a solid front on mediocrity in a weekend warrior world. These designs are the real deal. Exciting developments in the fixed blade products, too.



design has to translate into enhanced abilities. blade shapes, handle grips, and tool carry methods are some of the best you will find anywhere.



materials can make all the difference. Aircraft grade aluminum; G10 composite and D2 blade steel are assembled to create an arsenal of performance.

mechanism choice for the professional has to include AXIS for its one-hand ambidextrous advantages. Hard use never had it so good.



520 PRESIDIO®

PARDUE design

- Machined Aluminum Handles with Patented Grip Pattern
- One-Hand Ambidextrous Function
- Unparalleled AXIS Performance
- Overall Rugged Tool Construction



520 DESIGNER: Mel Pardue

LOCKING MECHANISM: AXIS Lock

BLADE STYLE & OPENER: Drop-Point;
Ambidextrous Thumb-Studs

BLADE STEEL: 154CM Stainless Steel
(58-60HRC)

BLADE LENGTH: 3.42" (8.69cm)

BLADE THICKNESS: 0.13" (3.30mm)

OPEN: 8.25" (20.96cm)

CLOSED: 4.87" (12.37cm)

WEIGHT: 5.64oz (159.89gm)

HANDLE SPEC: 6061 T-6 Aluminum; Double
420J Liners; Movable Steel Carry-Clip

HANDLE THICKNESS: 0.64" (1.625cm)

BLADE CONFIGURATIONS: **520** \$180, **520SBK** \$192,

520T (440C Stainless Steel) \$120



520T



new

523 PRESIDIO® TANTO

PARDUE design

- Tip Strong Tanto Blade Shape
- One-Hand Ambidextrous Function
- Multi-Directional Positive Grip
- Fully Adjustable Blade Pivot



525DESIGNER: Mel Pardue **LOCKING MECHANISM:** AXIS Lock **BLADE STYLE & OPENER:** Tanto, Ambidextrous Thumb-Studs **BLADE STEEL:** 154CM Stainless Steel (58-60HRC) **BLADE LENGTH:** 2.97" (7.59cm) **BLADE THICKNESS:** 0.115" (2.92mm) **OPEN:** 7.12" (18.08cm) **CLOSED:** 4.15" (10.54cm) **WEIGHT:** 3.70oz (104.89gm) **HANDLE SPECS:** Black Anodized; Machined 6061 T-6 Aluminum; Double 420J Liners; Movable Steel Carry-Clip **HANDLE THICKNESS:** 0.497" (12.62cm) **BLADE CONFIGURATIONS:** 523 \$165, 523S \$165, 523SBK \$177



new

525 MINI-PRESIDIO®

PARDUE design

- Machined Aluminum Handles with Patented Grip Pattern
- Optimally Sized for Versatile Carry
- Patented AXIS Mechanics
- Movable Carry-Clip



525DESIGNER: Mel Pardue **LOCKING MECHANISM:** AXIS Lock **BLADE STYLE & OPENER:** Drop-Point, Ambidextrous Thumb-Studs **BLADE STEEL:** 154CM Stainless Steel (58-60HRC) **BLADE LENGTH:** 2.97" (7.59cm) **BLADE THICKNESS:** 0.115" (2.92mm) **OPEN:** 7.12" (18.08cm) **CLOSED:** 4.15" (10.54cm) **WEIGHT:** 3.70oz (104.89gm) **HANDLE SPECS:** Black Anodized; Machined 6061 T-6 Aluminum; Double 420J Liners; Movable Steel Carry-Clip **HANDLE THICKNESS:** 0.497" (12.62cm) **BLADE CONFIGURATIONS:** 525 \$165, 525S \$165, 525SBK \$177



newbladesteel

910 STRYKER®

BENCHMADE design

- Modified Locking-Liner
- Full-Handle Titanium Liners
- Adjustable Blade Pivot



910DESIGNER: Benchmade **LOCKING MECHANISM:** Modified Locking-Liner **BLADE STYLE & OPENER:** Modified Tanto, Ambidextrous Thumb-Disk **BLADE STEEL:** D2 Tool Steel (59-61HRC) **BLADE LENGTH:** 3.70" (9.40cm) **BLADE THICKNESS:** 0.125" (2.46mm) **OPEN:** 8.25" (20.96cm) **CLOSED:** 4.68" (11.89cm) **WEIGHT:** 3.80oz (108gm) **HANDLE SPECS:** Black G10 Scales, Double Titanium Liners, Removable Steel Carry-Clip **HANDLE THICKNESS:** 0.48" (1.20cm)
BLADE CONFIGURATIONS: 910D2 \$135, 910SBKD2 \$147

155 FIXED PRESIDIO®

OSBORNE design

- Single Piece Full-Tang Blade Construction
- Machined Aluminum Handles with Multi-Directional Positive Grip
- Modified Clip-Point Blade Shape with Generous Utility
- Multi-Feature Sheath for Versatile Tool Carry



155DESIGNER: Warren Osborne **BLADE STYLE:** Modified Drop-Point **BLADE STEEL:** 154CM Stainless Steel (58-60HRC), BK1 Coated **BLADE LENGTH:** 6.20" (15.75cm) **BLADE THICKNESS:** 0.180" (4.57mm) **WEIGHT:** 9.92oz (281.23gm) **HANDLE SPECS:** Full Tang, Black Anodized 6061 T-6 Aluminum Scales **HANDLE THICKNESS:** 0.20" (5.08mm) **SHEATH:** Multi-Function Soft Sheath, Removable Pouch, Black Nylon **SHEATH WEIGHT:** 6.50oz (184.27gm) **OVERALL LENGTH:** 11.20" (28.45cm)
BLADE CONFIGURATIONS: 155BK \$192, 155SBK \$192

new features

140 NIMRAVUS® 141 NIMRAVUS® TANTO

BENCHMADE design

- Single Piece Full-Tang Tanto or Modified Tanto Blade Shape
- Large Finger Groove for Added Control
- Machined Aluminum or Optional G10 Handles
- Multi-Feature Soft Sheath with MOLLE® Capability



140DESIGNER: Benchmade **BLADE STYLE:** Modified Tanto **BLADE STEEL:** 154CM Stainless Steel (58-60HRC) or D2 Tool Steel (59-61HRC) **BLADE LENGTH:** 4.50" (11.43cm) **BLADE THICKNESS:** 0.115" (2.92mm) **WEIGHT:** 6.20oz (175gm) **HANDLE SPECS:** Full-Tang; Black G10 Scales **HANDLE THICKNESS:** 0.58" (1.48cm) **SHEATH:** Multi-Function Soft Sheath, REMovable Pouch, Nylon **SHEATH WEIGHT:** 6.50oz (184.27gm) **OVERALL LENGTH:** 9.45" (24.00cm)
BLADE CONFIGURATIONS: 140BK \$162, 140SBK \$162, 140BKD2 \$172, 140SBKD2 \$172, 140T \$130, 140SBKSN \$177

141DESIGNER: Benchmade **BLADE STYLE:** Tanto **BLADE STEEL:** 154CM Stainless Steel (58-60HRC) or D2 Tool Steel (59-61HRC) **BLADE LENGTH:** 4.50" (11.43cm) **BLADE THICKNESS:** 0.115" (2.92mm) **WEIGHT:** 6.20oz (175gm) **HANDLE SPECS:** Full-Tang; Black G10 Scales **HANDLE THICKNESS:** 0.58" (1.48cm) **SHEATH:** Multi-Function Soft Sheath, REMovable Pouch, Nylon **SHEATH WEIGHT:** 6.50oz (184.27gm) **OVERALL LENGTH:** 9.45" (24.00cm)
BLADE CONFIGURATIONS: 141BK \$162, 141SBK \$162, 141SBKSN \$177

new

156CSK

BENCHMADE design

- Single Piece Full-Tang Clipped Blade Shape
- Thicker Blade Construction for Added Tool Strength
- Tactile Soft Surfacd Handle Grip Pattern
- Patented BILT® System Handle Assembly
- Multi-Feature Soft Sheath



156DESIGNER: Benchmade

BLADE STYLE: Combat/Survival Bowie

BLADE STEEL: D2 Tool Steel (59-61HRC), BK1 Coated

BLADE LENGTH: 6.05" (15.37cm)

BLADE THICKNESS: 0.175" (4.45mm)

WEIGHT: 9.60oz (272.16gm)

HANDLE SPECS: Black Kraton® Overlay with BILT™ System

HANDLE THICKNESS: 0.78" (1.97cm)

SHEATH: Multi-Function Soft Sheath, Removable Pouch, Black Nylon

SHEATH WEIGHT: 6.50oz (184.27gm)

OVERALL LENGTH: 10.90" (27.69cm)

BLADE CONFIGURATIONS:

156BT \$125, **156SBT** \$125



new features

5 RESCUEHOOK

BENCHMADE design

- Unparalleled Rapid Response Cut Ability with a Safer Deployment Design
- Durable Edge Quality and Versatile Design
- Multiple Carry Options Available



CUTS QUICKLY, SAFELY AND EFFECTIVELY WITH PULLING MOTION



OPTIONAL LASH-TAB CARRY CLIP ASSEMBLY AVAILABLE SEPARATELY

STANDARD HARD SHEATH WITH TETHER (TETHER NOT PICTURED)

NOTE:
OTHER SHEATH OPTIONS AVAILABLE SEPARATELY SEE PAGE 60



5DESIGNER: Benchmade **BLADE STEEL:** 440C Stainless Steel (58-60HRC) **BLADE OPENING:** 0.50" (1.27cm) **BLADE THICKNESS:** 0.113" (2.87mm) **WEIGHT:** 1.20oz (34gm) **HANDLE SPECS:** Finger Hole 1.12" (2.85cm) **SOFT SHEATH:** Nylon Webbing Pouch/Velcro® Closure; MOLLE® Compatible **HARD SHEATH:** Molded Delrin® Snap-Fit (Varied Carry Options Available) **SOFT SHEATH WEIGHT:** 0.60oz (17gm) **HARD SHEATH WEIGHT:** 0.60oz (17gm) **OVERALL LENGTH:** 2.90" (7.37cm) **BLADE CONFIGURATIONS:** **5** (Includes Hard Sheath) \$38, **5 BLK** (Includes Hard Sheath) \$38, **5W** (Includes Soft Sheath) \$27.50, **5 BLKW** (Includes Soft Sheath) \$25

new features

6H20 RESCUEHOOK

BENCHMADE design

- Larger Handle Area for Heavy Gloved Grip
- Multiple Steel Options for Specific Application
- Multiple carry Options Available

NOTE:
SOFT SHEATH AVAILABLE CHECK WEBSITE FOR DETAILS



6DESIGNER: Benchmade **BLADE STEEL:** 6H20 X15 T.N Stainless Steel (58-60HRC); 6BLK 440C Stainless Steel (58-60HRC) **BLADE OPENING:** 0.50" (1.27cm) **BLADE THICKNESS:** 0.113" (2.87mm) **WEIGHT:** 2.30oz (65gm) **HANDLE SPECS:** 6H20 Steel w/ Yellow Kydex Overlay; 6BLK Black Oxide Finish w/ Grit Dipped Handle Coating **SOFT SHEATH:** Nylon Webbing Pouch/Velcro® Closure **HARD SHEATH:** Molded Delrin Snap-Fit (Varied Carry Options Available) **HARD SHEATH WEIGHT:** 0.60oz (17gm) **OVERALL LENGTH:** 4.25" (10.80cm) **BLADE CONFIGURATIONS:** **6H20** (Includes Hard Sheath) \$53, **6BLK** (Includes Hard Sheath) \$50, **6BLKW** (Includes Soft Sheath) \$45

REDCLASS

Edged tools with the same Benchmade signature innovation and performance driven mindset, geared for the casual knife buyer. It's a commitment to be the "best in class" value, and initiates an entirely new group of knife users to the Benchmade performance difference.






The Benchmade Red products offer several really cool innovations once again this year. This high-value mix of knives continues to grow and gain popularity. Regardless if we import it from our select overseas manufacturers or make it ourselves—you still get best in class performance.



design is built around form and function, and the Benchmade Custom Design Team ply their talents in Red, too. These products are Benchmade exclusive designs whether we make them or have our overseas manufacturing partners make them.



innovation sets Benchmade apart at all levels, and applying patented technologies to the Red products really makes them stand out in a crowd. Technologies like the Rolling Lock, Levitator and BILT System set the bar high.



quality is what keeps people coming back for more Benchmade and the Red Class is no exception. You get the highest grade materials and craftsmanship possible in a value priced product.

new

10110S SALMON RIVER FOLDING FILLET

10115 SALMON CREEK FOLDING FILLET

STEIGERWALT design

- Lightweight
- Slim Profile
- Large Fillet Blade
- Thermoplastic Overmold Adds Grip



Pull Tab to release tail-lock



Open blade



Push in tail-lock to lock blade



10110S

10115



10115



10110S



POUCH STYLE SHEATH INCLUDED WITH BOTH MODELS

10110S DESIGNER: Ken Steigerwalt **LOCKING MECHANISM:** Sliding Tail-Lock **BLADE STYLE:** Fillet **BLADE STEEL:** AUS8 Stainless Steel (58-60HRC) **BLADE LENGTH:** 7.09" (18cm) **BLADE THICKNESS:** 0.068" (1.71mm) **OPEN:** 13.78" (35cm) **CLOSED:** 8.52" (21.64cm) **WEIGHT:** 3.00oz (85.05gm) **HANDLE SPECS:** Glass Filled Nylon with Thermoplastic Overmold **HANDLE THICKNESS:** 0.526" (13.36mm) **SHEATH:** Black Nylon Pouch with Belt-Loop and Snap Closure **SHEATH WEIGHT:** 1.50oz (42.52gm) **BLADE CONFIGURATIONS:** 10110S \$35

10115 DESIGNER: Ken Steigerwalt **LOCKING MECHANISM:** Sliding Tail-Lock **BLADE STYLE:** Fillet **BLADE STEEL:** AUS8 Stainless Steel (58-60HRC) **BLADE LENGTH:** 5.72" (14.53cm) **BLADE THICKNESS:** 0.063" (1.60mm) **OPEN:** 11.38" (28.91cm) **CLOSED:** 7.00" (17.78cm) **WEIGHT:** 1.70oz (48.19gm) **HANDLE SPECS:** Glass Filled Nylon with Thermoplastic Overmold **HANDLE THICKNESS:** 0.449" (11.40mm) **SHEATH:** Black Nylon Pouch with Belt-Loop and Snap Closure **SHEATH WEIGHT:** 1.50oz (42.52gm) **BLADE CONFIGURATIONS:** 10115 \$30

10200 AMBUSH®

PARDUE design

- Large Blade Belly Great for Slicing
- Utilizes InDraft™ Mechanics for Safety
- Stain Resistant Materials
- Multiple Carry Options



10200DESIGNER: Mel Pardue **LOCKING MECHANISM:** Rolling Lock® **BLADE STYLE & OPENER:** Drop-Point Utility; Ambidextrous Thumb-Studs **BLADE STEEL:** AUS-8 Stainless Steel (58-60HRC) **BLADE LENGTH:** 3.94" (10.00cm); **BLADE THICKNESS:** 0.118" (3.00mm) **OPEN:** 9.26" (23.52cm) **CLOSED:** 5.36" (13.62cm) **WEIGHT:** 5.50oz (155.92gm) **HANDLE SPECS:** Diecast Aluminum; Double 420J Liners; Reversible Steel Carry-Clip **HANDLE THICKNESS:** 0.55" (1.408cm)
BLADE CONFIGURATIONS: **10200** \$70, **10200S** \$70, **10200SB** \$75

10210 MINI-AMBUSH®

PARDUE design

- InDraft™ Mechanics add Safety
- Ambidextrous Carry Options
- Textured Handle adds Grip



10210DESIGNER: Mel Pardue **LOCKING MECHANISM:** Rolling Lock® **BLADE STYLE & OPENER:** Drop-Point Utility; Ambidextrous Thumb-Studs **BLADE STEEL:** AUS-8 Stainless Steel (58-60HRC) **BLADE LENGTH:** 2.96" (7.52cm); **BLADE THICKNESS:** 0.118" (3.00mm) **OPEN:** 6.95" (17.65cm) **CLOSED:** 3.98" (10.12cm) **WEIGHT:** 2.56oz (73gm) **HANDLE SPECS:** Thermoplastic; Double 420J Liners; Reversible Steel Carry-Clip **HANDLE THICKNESS:** 0.457" (11.62cm)
BLADE CONFIGURATIONS: **10210** \$50, **10210S** \$50, **10210SB** \$55

new

10610 BENCHMITE® II

MCHENRY & WILLIAMS design

- Drop-Point Blade Maximizes Cutting Surface Area
- Levitator® Lock Secures Blade Open and Closed
- Blank Handle Scale can be Personalized
- Weighs Less Than 2 Ounces



10610DESIGNER: Bill McHenry & Jason Williams **LOCKING MECHANISM:** Levitator® Lock
BLADE STYLE & OPENER: Tanto Drop Point, Nail Nick **BLADE STEEL:** AUS 8 Stainless Steel (58-60HRC) **BLADE LENGTH:** 1.92" (4.88cm) **BLADE THICKNESS:** 0.086" (2.18mm) **OPEN:** 4.76" (12.09cm) **CLOSED:** 2.83" (7.19cm) **WEIGHT:** 1.60oz (45.36gm) **HANDLE SPECS:** 420 Stainless Steel Scales, 420 Stainless Steel Single-Sided Liner, 420 Stainless Steel Spacer; 10610BP with BP Coated Blade and Outer Handle Scales **HANDLE THICKNESS:** 0.242" (6.15mm)
BLADE CONFIGURATIONS: **10610** \$35, **10610BP** \$40

10600 SNIPE®

FECAS design

- Tip Down Carry for Amplified Safety
- Open Choil for Ease of Sharpening
- Clip Placed for Discreet Carry
- Levitator® Lock Easy to Use



10600DESIGNER: Steve Fecas **LOCKING MECHANISM:** Levitator® Lock **BLADE STYLE & OPENER:** Modified Drop Point; Thumb-Stud **BLADE STEEL:** AUS-8 Stainless Steel (58-60HRC) **BLADE LENGTH:** 3.97" (10.08cm); **BLADE THICKNESS:** 0.089" (2.26mm) **OPEN:** 9.30" (23.62cm) **CLOSED:** 5.33" (13.54cm) **WEIGHT:** 5.62oz (159.32gm) **HANDLE SPECS:** Molded Thermoplastic, Removable Steel Deep Carry-Clip **HANDLE THICKNESS:** 0.597" (15.16mm)
BLADE CONFIGURATIONS: **10600** \$60, **10600S** \$60, **10600SB** \$65

10300 MONOCHROME®

STEIREREISEN^{design}

- Corrosion Resistant Materials
- Slim Profile for Ease of Carry
- Ambidextrous Opening



10300DESIGNER: Steirer Eisen

LOCKING MECHANISM: Monolock

BLADE STYLE & OPENER: Drop-Point Utility w/ Dual Thumb-Studs

BLADE STEEL: N690 Stainless Steel (58-60HRC)

BLADE LENGTH: 3.04" (7.72cm)

BLADE THICKNESS: 0.125" (3.17mm)

OPEN: 7.37" (18.72cm)

CLOSED: 4.345" (10.04cm)

WEIGHT: 3.84oz (108.86gm)

HANDLE SPECS: 420J Stainless Steel; Removable Steel Carry-Clip

HANDLE THICKNESS: 0.354" (.9cm)

BLADE CONFIGURATIONS:

10300 \$50, **10300S** \$50, **10300B-BLK** \$60,

10300SB-BLK \$60



10400 PIKA®

BENCHMADE design

- High Clip Placement for Discreet Carry
- Right and Left Hand Friendly
- All-Weather Grip Pattern
- Ergonomic Handle Design



10400 DESIGNER: Benchmade **LOCKING MECHANISM:** Lock Back **BLADE STYLE & OPENER:** Clip-Point; Ambidextrous Oval Thumb-Hole **BLADE STEEL:** 440C Stainless Steel (58-60HRC) **BLADE LENGTH:** 3.50" (8.89cm) **BLADE THICKNESS:** 0.115" (2.92mm) **OPEN:** 8.25" (20.95cm) **CLOSED:** 4.80" (12.18cm) **WEIGHT:** 2.70oz (76.544gm) **HANDLE SPECS:** Thermoplastic; Movable Steel Carry-Clip **HANDLE THICKNESS:** 0.453" (1.150cm) **BLADE CONFIGURATIONS:** **10400** \$40, **10400S** \$40

10410 MINI-PIKA®

BENCHMADE design

- Oval-Hole Opener for Ambidextrous Use
- Large Finger Groove for Added Protection
- Lightweight for Comfortable Carry
- Textured Handle for Ample Grip



10410 DESIGNER: Benchmade **LOCKING MECHANISM:** Lock Back **BLADE STYLE & OPENER:** Clip-Point; Ambidextrous Oval Thumb-Hole **BLADE STEEL:** 440C Stainless Steel (58-60HRC) **BLADE LENGTH:** 2.90" (7.37cm) **BLADE THICKNESS:** 0.110" (2.79mm) **OPEN:** 6.95" (17.65cm) **CLOSED:** 4.00" (10.16cm) **WEIGHT:** 1.80oz (51.03gm) **HANDLE SPECS:** Thermoplastic; Movable Steel Carry-Clip **HANDLE THICKNESS:** 0.44" (1.11cm) **BLADE CONFIGURATIONS:** **10410** \$35, **10410S** \$35

new

10536BP INSTIGATOR®

SNODY design

- Skeletonized Handle Decreases Weight
- Versatile Sheath Offers Multiple Carry Options
- Chisel Grind Blade Improves Durability
- Ergonomic Handle Enhances Comfort



10536BP

10536DESIGNER: Mike Snody

BLADE STYLE: Modified Wharncliffe
BLADE STEEL: AUS 8 Stainless Steel
(58-60HRC), BP Coated

BLADE LENGTH: 3.28" (8.33cm)

BLADE THICKNESS: 0.123" (3.12mm)

WEIGHT: 2.30oz (65.2gm)

HANDLE SPECS: AUS 8 Stainless Steel,
Skeletonized, Full Tang

HANDLE THICKNESS: 0.123" (3.12mm)

SHEATH: Snap-Fit Molded Kydex®/
Thermoplastic with Tether

OVERALL LENGTH: 7.38" (18.79cm)

BLADE CONFIGURATIONS: 10536BP \$50

10500 RANT® BOWIE

PARDUE design

- B.I.L.T.® System for Easy Maintenance
- Hollow Ground Blade has Very Fine Edge
- Molded Grip Pattern Enhances Grip
- Thick Bolster Amplifies Safety



10500 DESIGNER: Mel Pardue **BLADE STYLE:** Clip-Point Bowie **BLADE STEEL:** 440C Stainless Steel (58-60HRC) **BLADE LENGTH:** 3.95" (10.03cm) **BLADE THICKNESS:** 0.139" (3.53mm) **WEIGHT:** 6.16oz (174.633gm) **HANDLE SPECS:** Polypropylene w/ Black Kraton® Overmold; w/ BILT® System **HANDLE THICKNESS:** 0.88" (2.23cm) **SHEATH:** Black Leather w/ Belt-Loop **OVERALL LENGTH:** 8.58" (21.79cm)
BLADE CONFIGURATIONS: 10500 \$65

10505 RANT® DPT

PARDUE design

- Molded Handle Adds Gripping Power
- B.I.L.T.® System Increases Assembly Integrity
- Molded Sheath Interior for Snug Fit
- Drop-Point Blade



10505 DESIGNER: Mel Pardue **BLADE STYLE:** Drop-Point **BLADE STEEL:** 440C Stainless Steel (58-60HRC) **BLADE LENGTH:** 4.48" (11.38cm) **BLADE THICKNESS:** 0.139" (3.53mm) **WEIGHT:** 6.02oz (170.66gm) **HANDLE SPECS:** Polypropylene w/ Black Kraton® Overmold; w/ BILT® System **HANDLE THICKNESS:** 0.88" (2.23cm) **SHEATH:** Black Ballistics Nylon w/ Belt Loop **OVERALL LENGTH:** 9.11" (23.14cm)
BLADE CONFIGURATIONS: 10505 \$65

10510 GAMER®

FECAS_{design}

- Textured Handle for Increased Grip
- Full-Tang Blade adds Strength
- Slim Profile for Carry Comfort
- Grip Ridges for Added Safety



10510DESIGNER: Steve Fecas **BLADE STYLE:** Clip-Point **BLADE STEEL:** 440C Stainless Steel (58-60HRC) **BLADE LENGTH:** 4.11" (10.44cm) **BLADE THICKNESS:** 0.117" (2.97mm) **WEIGHT:** 3.58oz (101.491gm) **HANDLE SPECS:** Thermoplastic, Full Tang **HANDLE THICKNESS:** 0.425" (1.08cm) **SHEATH:** Black Thermoplastic w/ Multiple Carry Options **OVERALL LENGTH:** 8.84" (22.45cm) **BLADE CONFIGURATIONS:** 10510 \$40, 10510S \$40

10520SB OFFSIDER®

FECAS_{design}

- Molded Handle adds Gripping Power
- Molded Sheath Interior for Snug Fit
- Modified Spear-Point Blade



10520SBDESIGNER: Steve Fecas **BLADE STYLE:** Modified Spear-Point **BLADE STEEL:** 440C Stainless Steel (58-60HRC) **BLADE LENGTH:** 7.13" (18.13cm) **BLADE THICKNESS:** 0.219" (5.56mm) **WEIGHT:** 12.58oz (356.64gm) **HANDLE SPECS:** Thermoplastic Scales, Full Tang **HANDLE THICKNESS:** 0.797" (2.02cm) **SHEATH:** Soft Cordura® w/Multi-Pocket, Belt Carry **OVERALL LENGTH:** 13.03" (33.10cm) **BLADE CONFIGURATIONS:** 10520SB \$120



Introducing a selection of knives designed and built in the same “no compromise” spirit of Heckler & Koch. These knives are designed and built by Benchmade and include a distinctive mix of folder and fixed blade models.



THE HK LINE

Benchmade is proud to offer this selection of HK branded knives. All of the same superior design, engineering and manufacturing were engaged in their development.

All of the designs featured here are the work of custom knife maker Mike Snody. The line-up has a unique look all its own.

Mechanisms include Benchmade’s patented and exclusive AXIS™ lock for unparalleled ambidextrous function. HK AXIS models make full use of the single-hand mechanics.

Manufacturing technologies feature cast aluminum handles with soft rubber overmolding to enhance grip. Not only does it make for a great grip structure, it creates a stylish look to the knives. And when it comes to component materials, it’s all about performance.

The Benchmade, HK branded knives are backed with the same great customer service and warranty that comes standard with all Benchmade knives.

14200

SNODY design

- Patented AXIS Function
- Movable Carry-Clip
- Modified Clip-Point Blade
- Diecast Aluminum Handles with Overmold Grips



14200



14200SBT

14200 DESIGNER: Mike Snody **LOCKING MECHANISM:** AXIS Lock **BLADE STYLE & OPENER:** Modified Clip-Point; Ambidextrous Thumb Studs **BLADE STEEL:** 154CM Stainless Steel (58-60HRC) **BLADE LENGTH:** 3.40" (8.64cm) **BLADE THICKNESS:** 0.150" (3.81mm) **OPEN:** 8.19" (20.80cm) **CLOSED:** 4.50" (11.43cm) **WEIGHT:** 5.50oz (152.92gm) **HANDLE SPECS:** BK1 Poly Ceramic Coated Cast Aluminum Bolster with Sanoprene® Overmold Scales, Movable Steel Carry-Clip **HANDLE THICKNESS:** 0.610" (1.55cm) **BLADE CONFIGURATIONS:** 14200 \$180, 14200S \$180, 14200SBT \$190



14250

SNODY design

- Patented AXIS Function
- Movable Carry-Clip
- Modified Tanto Blade
- Diecast Aluminum Handles with Overmold Grips



14250



14250SBT

14250 DESIGNER: Mike Snody **LOCKING MECHANISM:** AXIS Lock **BLADE STYLE & OPENER:** Modified Tanto; Ambidextrous Thumb Studs **BLADE STEEL:** 154CM Stainless Steel (58-60HRC) **BLADE LENGTH:** 3.40" (8.64cm) **BLADE THICKNESS:** 0.150" (3.81mm) **OPEN:** 8.19" (20.80cm) **CLOSED:** 4.50" (11.43cm) **WEIGHT:** 5.50oz (152.92gm) **HANDLE SPECS:** BK1 Poly Ceramic Coated Cast Aluminum Bolster with Sanoprene® Overmold Scales, Movable Steel Carry-Clip **HANDLE THICKNESS:** 0.610" (1.55cm) **BLADE CONFIGURATIONS:** 14250 \$180, 14250S \$180, 14250SBT \$190



new
14210

SNODY_{design}

- Patented **AXIS** Function
- Modified Clip-Point Blade Shape
- **Machined G10** Handle Scales
- Movable Carry-Clip



14210

14210DESIGNER: Mike Snody **LOCKING MECHANISM:** **AXIS** Lock **BLADE STYLE & OPENER:** Modified Drop-Point w/ Recurve; Dual Thumb Studs **BLADE STEEL:** 154CM Stainless Steel (58-60HRC) **BLADE LENGTH:** 2.95" (7.52cm) **BLADE THICKNESS:** 0.115" (2.92mm) **OPEN:** 6.80" (17.27cm) **CLOSED:** 3.85" (9.77cm) **WEIGHT:** 3.08oz (87.32gm) **HANDLE SPECS:** Black G10 Scales, Double 410 Stainless Steel Liners, Movable Steel Carry-Clip **HANDLE THICKNESS:** 0.49" (1.24cm)

BLADE CONFIGURATIONS: **14210** \$160, **14210S** \$160, **14210SBT** \$170



14300

SNODY_{design}

- Distinctive Modified Drop-Point Blade Shape
- Locking-Liner Mechanism
- Full Steel Liners with Molded Scales
- Removable Carry-Clip



14300

14300DESIGNER: Mike Snody **LOCKING MECHANISM:** Modified Locking-Liner **BLADE STYLE & OPENER:** Modified Clip-Point; Ambidextrous Thumb Studs **BLADE STEEL:** 440C Stainless Steel (58-60HRC) **BLADE LENGTH:** 2.97" (7.54cm) **BLADE THICKNESS:** 0.150" (3.81mm) **OPEN:** 6.84" (17.37cm) **CLOSED:** 3.90" (9.90cm) **WEIGHT:** 3.40oz (96.39gm)

HANDLE SPECS: Black Molded Thermoplastic, Removable Steel Carry-Clip **HANDLE THICKNESS:** 0.519" (1.32cm)

BLADE CONFIGURATIONS: **14300** \$60, **14300S** \$60

14100

SNODY_{design}

- Distinctive Modified Drop-Point Blade Shape
- Overall Downsized Tool Design for Utility
- Molded Grip Textured Handle Scales
- Molded Snap-Fit Belt Carry Sheath
- Corded Lanyard for Added Grip



14100DESIGNER: Mike Snody **BLADE STYLE:** Modified Drop-Point **BLADE STEEL:** 440C Stainless Steel (58-60HRC) **BLADE LENGTH:** 3.62" (9.19cm) **BLADE THICKNESS:** 0.150" (3.815mm) **WEIGHT:** 8.30oz (235.30gm) **HANDLE SPECS:** Full-Tang; Molded Black Thermoplastic Scales **HANDLE THICKNESS:** 0.575" (1.46cm) **SHEATH:** Snap-Fit Molded Kydex® Thermoplastic **OVERALL LENGTH:** 7.62" (19.35cm)
BLADE CONFIGURATIONS: 14100 \$90, 14100BT \$100

14150

SNODY_{design}

- Modified Clip-Point Blade Shape
- Larger Sized Full-Tang Blade
- Partial Serration for Added Edge Versatility
- Machine Scalloped G10 Handle Scales
- Multi-Feature Soft Sheath



14150DESIGNER: Mike Snody **BLADE STYLE:** Modified Clip-Point **BLADE STEEL:** 154CM Stainless Steel (58-60HRC) **BLADE LENGTH:** 4.90" (12.45cm) **BLADE THICKNESS:** 0.150" (3.815mm) **WEIGHT:** 8.30oz (235.30gm) **HANDLE SPECS:** Full-Tang; Machined Black G10 Scales **HANDLE THICKNESS:** 0.550" (1.40cm) **SHEATH:** Soft Cordura® with Multi-Pocket and Belt Loop Carry **OVERALL LENGTH:** 9.90" (25.15cm)
BLADE CONFIGURATIONS: 14150SBT \$180

parts can be thrown with
deadly force.

WARNING!



EXPECTMORE

We didn't invent the knife. We challenge it. The technology and expertise behind these unique tools is derived directly from a passion to innovate and improve. Don't ask us why we do it this way, ask our customers— that's who we're working for. What do you expect?

WHAT'S IN A KNIFE?

STRONGER. BETTER. SAFER. SMARTER.

Everyday, whether at work, at home or at play, you are presented with options. Options to accept complacency or the opportunities to search out a better way. And so it is with knives, the option to have the best tool for the job.

Too often people take their choice of knives for granted when the reality is that if they took the extra time to learn the true differences, it could translate into extra time and money saved over the long haul.

Easier access, enhanced edge retention, durability, and higher standards of manufacturing qualities equate to enhanced performance—more value for the money.

Like most things, knives have evolved over the years. It's well worth your while to take some time to seek out the modern advantages.

There are some very important considerations when it comes to selecting and purchasing a knife. The alternative could mean frustration with a dull knife, or it could mean regret of something more serious. *The choice is yours.*

MECHANISM

Can I open and close it easily, and with one hand? Will it open and close intuitively? Does it stay open or closed reliably? Is it intended to enhance user tool function, or only manufacturer tool sales?

DESIGN

Is it a practical one? Will the blade shape offer good utility? Does it fit my hand? Will it support my cutting tool needs?

MATERIALS

Do the materials enhance its performance, or offer improved levels over others? Are the materials strong, durable and offer added value? How often will it have to be resharpened?

QUALITY

Does it feel solid and well built? Does the blade wobble? Do all of the components fit together properly? Will the manufacturer warranty any issues?



FORWARDTHINKING

You must have it to succeed. And to make certain it never fades, we established the Benchmade Custom Design Team. It's founded on the premise of a high regard for the individual custom knife maker who pours their genuine passions, and given talents into making unique realities one piece at a time. To them, it goes beyond earning a living, it's an opportunity to express their own interpretations of cutting edge design.

Benchmade has perfected a collaboration of efforts with these rogues of conformity, tapping into the newest in locking mechanisms, progressive designs, and the latest in materials. Ultimately, this intellectual exchange transpires into something special in the form of a Benchmade knife.

THE DESIGNERS

MEL PARDUE

The senior team member, Mel has been grinding sparks, making knives and creating a following for 20-plus years. His style has a class and simplicity all its own. The Pardue collaborations offer great utility to the everyday knife user while at the same time presenting an upscale distinction. Less is definitely more with Mel's designs.

BILL McHENRY & JASON WILLIAMS

It runs in the family... Bill and stepson Jason spend their days making exquisite pieces of "art with an edge on it." Their dedication and talents compliment one another very well, and have led to several noteworthy innovations in the knife making world. Benchmade was fortunate to be involved with one such innovation, the AXIS mechanism. The rest is history in the making.

WARREN OSBORNE

Being raised in the farming and ranching industry

taught Warren early on what great utility a quality knife can offer. How a knife feels in the hand over extended use, blade design/edge configurations, and the types of materials used are all mandatory considerations of an Osborne design.

STEVE FECAS

The mystique of custom knives, and what they have to offer, caught Steve's eye nearly 30 years ago, and he has been creating his own mystique ever since. The Fecas designs offer a stylish, swept-back profile all their own.

ARMIN STUETZ

Armin has been making his fascination with knives a livelihood for many years. Steirer Eisen, his own knife manufacturing company, is located in Styria, Austria. He brings an international presence to the team and says he is only satisfied when his customers are satisfied. Hmm...sounds familiar.

MIKE SNODY

Exploding into the knife making world, Mike has successfully created a name for himself in a short amount of time by wrapping solid function in the guise of contemporary design. His design influence is derived from his own personal experiences. And his "sensitive" side certainly hasn't held him back either.

NEIL BLACKWOOD

A lifelong hobby turned fulltime profession, Neil grew up naturally working with his hands as his father was a shop teacher. His custom work really takes advantage of the latest materials and works them into creative reflections of his detailed eye. He says if his love of what he does ever fades, he will pick up a fishing pole.

KEN STEIGERWALT

In 1978 at the age of 15, Ken found himself at the kitchen table with some files and a vise. Three years later he decided that knifemaking was going to be his full time career. Since then, Ken has dedicated himself to wowing the industry with his innovative style and describes his work as a passion and a journey to build a better knife than the last.



Located in the beautiful Pacific Northwest, Benchmade employees are able to work and play in some of the best backyards on the planet.

Mt. Hood can be seen from the facility.

THE MINDSET

It all starts with a commitment to innovation. And for us, it goes beyond simply being innovatively different—Benchmade continually strives to be innovatively better. We believe that when a customer chooses to purchase a Benchmade, they don't do so just to be different, they do so because they want the best. This mindset of innovating for improvement is alive and well throughout Benchmade, it goes into every design, and comes out of every product. Admittedly, it's definitely not the easiest way to make knives, but it's the only way we know how.

ENGINEERING

Rocket science? Ok, well almost. It all starts with a dedicated Engineering department hell bent on getting it right—before a milling machine ever starts. It means taking an often times custom design concept and unique designer personality, and then translating it into computer renderings and programs for a multitude of individual manufacturing processes. Our engineers are continually checking and rechecking for perfection, and we are fully integrated with our outside manufacturing partners to ensure our Benchmade quality standards are adhered to. From the latest

computer aided design (CAD) software and 3-D modeling technologies to just plain knife-know-how gained from years of experience, it's a test of wills. And when the final prototype is signed off on, the customer always wins.

MANUFACTURING

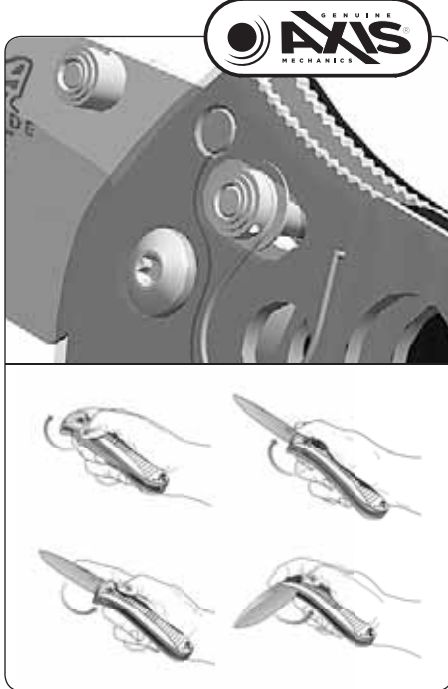
The Benchmade manufacturing arsenal contains ultra-modern laser cutters and machining centers dialed in for spot-on tolerances of 0.0005" on command. Our computerized machining centers offer the precision and control usually found only in the aerospace industry. Most of our products are hand assembled for a "go together" fit and finish typically seen only in a custom knife. But it's more than just having modern equipment, for Benchmade, it's having a workforce of dedicated and professionally skilled people knowing how to make it all work together. We also work with a specially select group of outside manufacturing partners, who are willing to go beyond working for us—they work with us to deliver the best product regardless of price point. It's a lot of effort for just a knife, which is why Benchmade knives aren't "just a knife"... they're engineered cutting tools founded on function, built for performance and recognized for both.

INNOVATIONS IN MOVEMENT

Seems simple enough. You open the knife, you close the knife. But it's the mechanics of motion that happens in the process, which can make the difference between ordinary and extraordinary. Is the knife easy to actuate, can the knife be opened with one hand, is it ambidextrous, and will it be reliable when you need it most? These are all essential considerations when it comes to knife mechanics.

Benchmade offers several mechanisms, from patented exclusives including the unparalleled AXIS, to more traditional lock back designs. It all comes down to your level of desired function.

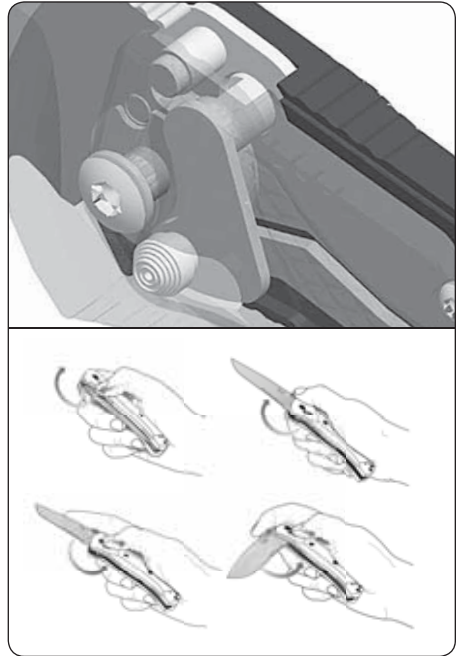
LOCKING MECHANISMS & ASSEMBLIES



AXIS®

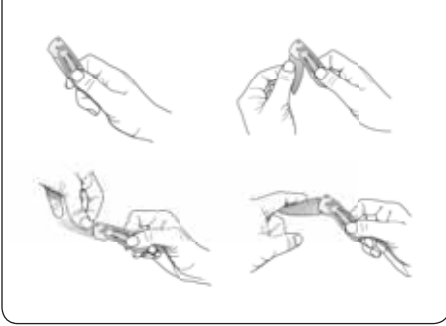
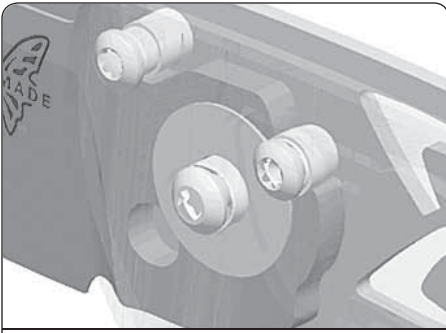
A patented Benchmade exclusive, AXIS has been turning heads and winning fans ever since its introduction. A 100-percent ambidextrous design,

AXIS gets its function from a small, hardened steel bar which rides forward and back in a slot machined into both steel liners. The bar extends to both sides of the knife, spanning the liners and positioned over the rear of the blade. It engages a ramped, tang portion of the knife blade when it is opened. Two omega style springs, one on each liner, give the locking bar its inertia to engage the knife tang, and as a result the tang is wedged solidly between a sizable stop pin and the AXIS bar itself.



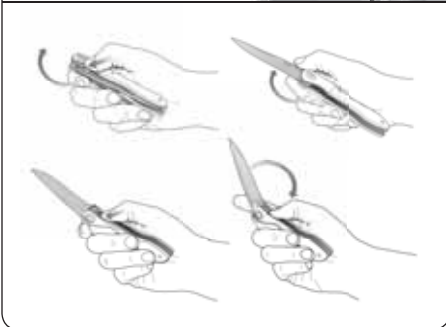
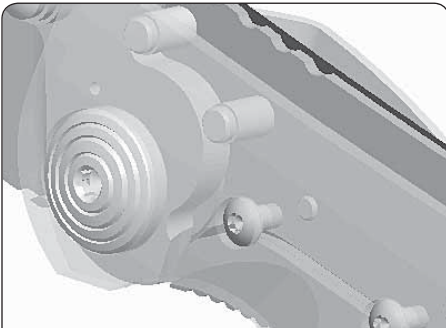
ROLLING LOCK® WITH INDRAFT®

Another patented Benchmade exclusive, the Rolling Lock utilizes a sizable, notched lock-pin which secures against the blade tang when engaged. To disengage, a spring actuated thumb button on the right handle side is drawn back to rotate the lock-pin and free the blade. InDraft, a patented exclusive, is a combination of a slotted liner and a pin in the blade tang working in tandem to generate an inward inertia when closing the blade. This results in one of the safest blade detents available today.



LEVITATOR®

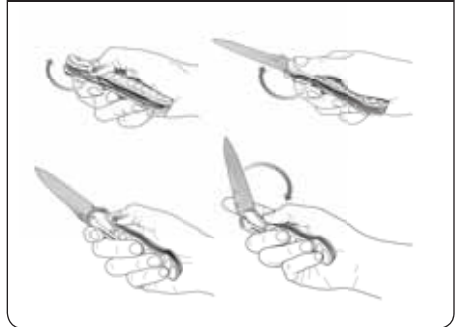
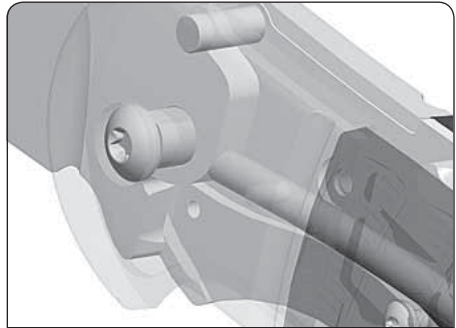
A patented Benchmade exclusive, the knife handle scale/liner is cut to create a spring system which is used to leverage a lock-pin in and out of a notch in the tang of the blade. This spring/pin system effectively locks the blade both in the open and closed positions.



MODIFIED LOCKING-LINER

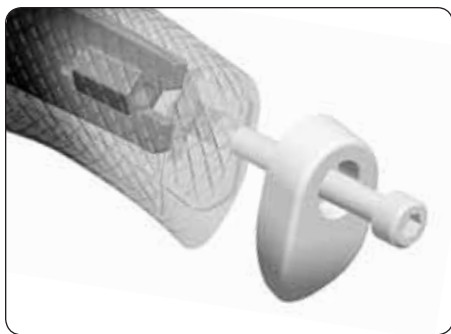
The basic principle is an integral locking bar within the knife liner being stress bent, enabling it to spring

into position behind the rear tang of the blade when the blade is opened. The locking bar wedges against the rear of the blade, locking it open until you physically push it clear and close the blade (locking-liners are made either right or left hand specific). And with a Benchmade modified locking-liner you get a patented feature which helps to enhance the lock function. The function success and function failure of a locking-liner depends greatly on how well it is made and also the quality of the materials used. With Benchmade, you get the best of both, and we offer it in a variety of knives.



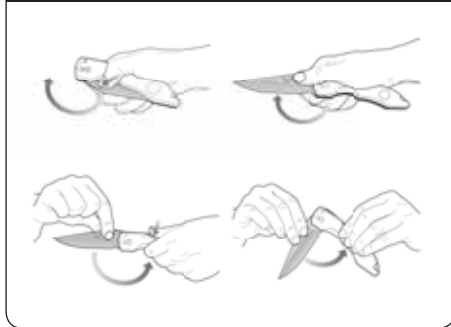
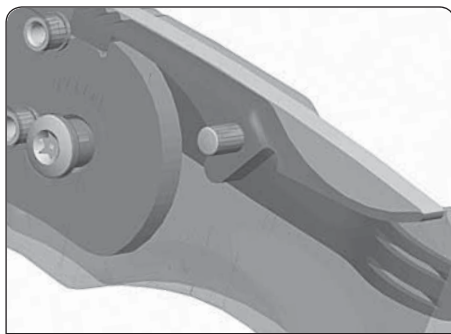
OPTIMISER®

Another patented Benchmade exclusive, which “optimizes” the knife mechanism if the user chooses to do so... A spring steel bar running the length of the inside handle spine is secured in place and contacts a surface area of the blade tang. As the blade is closed the spring is tensioned against the blade tang, then as the user rotates the blade open to a 30-degree angle, the spring takes over and continues the blade opening process on its own. The huge advantages to the Optimiser design over other similar concepts, is that the blade must be rotated open to beyond a 30-degree angle, which offers added user control. And even more amazing, the Optimiser can be added or removed at the discretion of the user and the knife/mechanism still functions normally. The choice is yours.



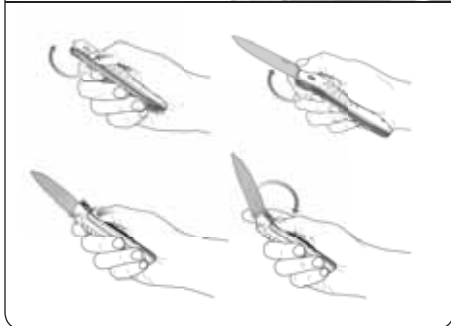
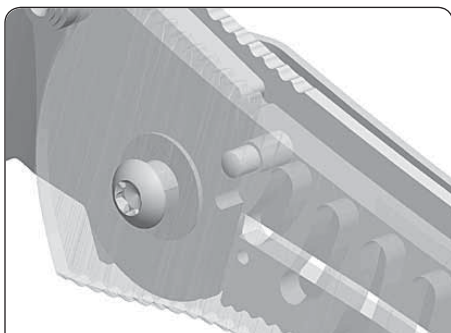
BILT® SYSTEM

A patented Benchmade exclusive, the BILT System (Bolted InLine Tang) simplifies the fixed blade handle assembly process, while at the same time strengthening the overall assembly itself. A long nut is positioned in the slotted full-tang; a hardened bolt is passed through the butt-cap and then threaded into the nut drawing the handle assembly together for a solid fit.



LOCK BACK

A basic functional lock that is relatively simple and low cost to manufacture. In practice the lock design positions a stop bar parallel to and in direct line with the blade at the upper back or rear tang of the blade to lock the blade open. Basically, as the blade is rotated open, the spring tensioned, center pivoted stop bar tracks around the circular portion of the blade tang until it drops or locks into the notched out tang. And to release the lock, the exposed portion of the stop bar in the handle back is depressed into the handle, pivoting the stop bar out, releasing the locked blade. This style of mechanism requires two hands to safely close the blade although you may still easily open the blade single-handed if desired.



MONOLOCK

The monolock mechanism is basically a locking-liner on steroids. The knife liner is one in the same as the knife handle, and thus it is designed and made to function as the locking mechanism. Subsequently, a thicker material is used to provide enough surface area to be a functional handle, and in turn creates a larger surface area to lock the blade with. If executed properly, the monolock design rates very highly in strength and function.

ADVANCED MATERIALS

So what's it made of? Which blade steel is best? Just a couple of the questions we are asked when people see our knives, and the answers come down to this— Benchmade uses a variety of modern materials specially selected for their superior performance characteristics. We strongly believe that if you're

going to put this much effort into designing a custom quality cutting tool, then it only makes sense to build it of the materials which compliment its form and enhance its function. And in some instances it's more than just selecting a certain material, it's what we do to it to bring out the extra edge which sets us apart from everyone else. Bottom line, we would much rather overbuild a knife than risk the alternative—we thought you would like that, too.

BLADE STEELS & FINISHES

154CM

An American made premium grade stainless steel originally developed for tough industrial applications. Known for its best all-around qualities, it offers great corrosion resistance with good toughness and edge quality.

S30V

An American made and developed premium grade stainless steel created especially for knives. It is a powder made steel with a uniform carbide distribution and clean steel properties. As a blade material it offers excellent corrosion resistance and superb edge qualities.

D2

An air-hardened tool steel, which offers good corrosion resistance and excellent mileage in wear resistance. A good choice for hard use applications.

440C

A high-chromium stainless steel with a terrific balance of good hardness and corrosion resistance. 440C takes a nice edge and is fairly easy to sharpen. An excellent value priced steel for its performance.

N690

An Austrian made stainless steel, which is comparable to 440C in performance and value. Keen edge qualities with great corrosion resistance.

	STEEL	CARBON	CHROMIUM	COBALT	NITROGEN	MANGANESE	MOLYBDENUM	NICKEL	PHOSPHOROUS	SILICON	SULPH	TUNGSTEN	VANADIUM	HRC
	154CM	1.05	14.00	-	-	0.50	4.00	-	-	0.30	-	-	-	58-60
	A15-34	1.05	14.00	-	-	0.40	4.00	-	0.05	0.35	0.02	-	-	58-60
	S30V	1.45	14.00	-	-	0.50	2.00	-	-	0.50	-	-	4.00	58-60
	X15 TiN	0.40	16.00	-	-	-	2.00	-	< 0.02	-	< 0.005	-	0.35	58-60
	M2	0.85	4.15	-	0.30	0.30	5.00	0.30	-	0.30	-	5.50-6.75	1.95	60-65
	D2	1.50	12.00	-	0.30	0.60	1.00	0.30	-	0.60	-	-	1.00	57-61
	440A	0.65	17.00	-	-	1.00	0.75	-	0.04	1.00	0.03	-	-	55-57
	N690	1.07	17.00	1.50	-	0.40	1.10	-	-	0.40	-	-	0.10	58-60
	440C	0.75	17.00	-	-	1.00	0.75	-	0.04	1.00	0.03	-	-	58-60
	AUS-8	0.75	14.00	-	0.49	0.50	0.10	0.49	0.04	1.00	0.03	-	0.20	58-59
	420HC	0.46	13.00	-	-	0.40	-	-	-	0.40	-	-	0.30	58-60
	AUS-10	1.00	14.00	-	0.49	0.50	0.10	0.49	0.04	1.00	0.03	-	0.20	59-60
	B6-42	1.15	14.50	-	-	0.50	4.00	-	-	0.30	-	-	1.20	61-63
	CPM(D)440V	2.15	17.00	-	-	0.40	1.00	-	-	0.40	-	-	5.50	55-57

AUS-8

A low-carbon, high chromium stainless steel, which offers a good balance of toughness, edge sharpness and corrosion resistance.

X15 T.N

This steel was developed for the aircraft industry for jet ball bearings, as well as the medical industry for scalpels. It has the ability to resist rust in the worst of conditions while maintaining ample edge retention. The capability behind this steel is in the way it is manufactured, resulting in the finest steel for use in harsh environments such as salt water. The edge on an X-15 T.N blade is easier to maintain.

DAMASCUS

A specially forged, layered steel made up of a variety of steels. It offers remarkable toughness and edge quality. For finishing, the surface layers or lines are exposed through an acid etch, which creates a very unique visual effect. Used in special applications due to its inherent high cost and artistic nature.

BK1® COATING

BK1 coating. It is a matte black coating that provides excellent corrosion protection, which exceeds the ASTM-117 spec for saltwater while possessing higher scratch resistance.

BT2® COATING

A proprietary blade coating that is Xylan® based to provide excellent corrosion resistance which exceeds the ASTM-117 spec for saltwater and increases surface lubricity.

BP1 COATING

Black Pearl (BP) is a PVD (physical vapor deposition) coating made up of Titanium Carbo-Nitride (TiCN for short). It is a darker, near black, scratch resistant coating with nice decorative qualities.

COMBOEDGE®

It denotes our partial serration on the plain edge blade configuration. Benchmade's serration pattern offers ideal cutting ability for fibrous materials such as webbing, straps, netting or rope.

HEAT-TREATMENT

Over the years we have developed a "special

recipe" for heat-treating our blade steels. This process maximizes the steels' molecular structure for a custom toughness and Benchmade superior performance. All steels may be created equally, but that is where it stops when it comes to Benchmade.

HANDLES

CARBON FIBER

A contemporary, premium composite of thin strands of carbon tightly woven into various weave patterns, then set in resin, which is most commonly clear but can be color tinted. It offers great looks and is exceptionally strong for its minimal weight.

STABILIZED WOOD

Select hardwood veneers are vacuum impregnated with special dyes and resins. Sheets are layered and combined under tremendous heat and pressure to adhere the veneers for a durable real wood medium.

MICARTA

Layers of linen cloths soaked in resin and pressured together. Most commonly used on more stylish knives due to its rich color finish qualities.

6061 T-6 ALUMINUM

A nonferrous metal originally developed as a premium aircraft grade aluminum, it offers a solid handle form and function at a nominal weight. Most typically color anodized.

KRATON®

A thermoplastic elastomer offering excellent flexibility and memory elasticity even under harsh conditions. It is over-molded onto the handle for added grip surface and tactile qualities.

NORYL GTX®

A modern engineered plastic offering high-strength, minimal flex and optimally lightweight properties. Molded to form.

G10

An extremely durable makeup of layers of fiberglass soaked in resin, then highly compressed and baked. Impervious to moisture or liquid and physically stable under climate change. Most commonly black, but is available in various colors, too.

ZYTEL®

A lightweight glass filled nylon engineered for strength and durability. Widely used throughout the auto industry in engine related components. Molded to form.

KYDEX®

A mixture of acrylic and PVC, which offers outstanding impact and chemical resistance as well as fire retardancy. Widely used in the auto and aerospace industry. Molded or thermo-formed.

DELRIN®

A lightweight and durable engineered polymer with low wear properties. Used throughout the auto industry. Molded to form.

VALOX®

A reinforced resin with excellent stiffness, strength and dimensional stability. Molded to form.

ANODIZATION

An electrochemical process used for adding color to titanium surfaces. A combination of chemical bath and electrical voltage level generates the desired color. A similar process is used for aluminum with the addition of a chemical coloring bath.

LINERS

6AL 4V-TITANIUM

Considered an exotic metal alloy (Titanium + 6% Aluminum + 4% Vanadium) with an excellent strength to weight ratio, which offers exceptional performance in a knife. Titanium is corrosion resistant to natural elements as well as many industrial chemicals.

420J STAINLESS STEEL

A common knife grade with low carbon, high chromium content steel which offers excellent bend toughness and wear ability. It offers excellent corrosion resistant characteristics as well. Also used in handles.

SHEATHS

BALLISTICS NYLON

A heavy duty woven nylon fabric originally developed for use in bullet proof vests and body armor. Offers great lightweight sheath durability.

SANTOPRENE®

A thermoplastic elastomer which is molded to specification. It offers excellent flexibility with high tear strength and fatigue resistance. Good resistance to many harsh chemicals. All of these features contribute to improved performance in a grueling range of tough jobs.

LEATHER

A natural material dating back to man's earliest beginnings in the knife world. It can be easily dyed and tooled for desired visual effect. Offers traditionally accepted levels of performance and design.

The following are registered trademarks of their respective companies: Delrin®, E.I. du Pont de Nemours & Company; Zytel®, E.I. du Pont de Nemours & Company; Kydex®, Kleerdex Company; Noryl GTX®, General Electric Company; Valox®, General Electric Company; Xylan®, Whitford Worldwide Corporation; Kraton®, Kraton Polymers Company; Santoprene®, Advanced Elastomer Systems

EXTRAS

There's more to Benchmade than just great knives. We also offer you the service and support to back up or enhance the performance of our knives. From the finest customer service in the industry to branded clothing and specialty items—it's all available for you to take advantage of. And if you find that something is missing or needs improvement, we want to hear about it.

ACCESSORIES

BLUE BOX



Benchmade uses “six-lobe” headed screws exclusively throughout the assembly of our knives. Occasionally you may want to adjust blade tension, remove the carry-clip or simply check for any loosened screws, so we offer this handy kit for those purposes. Kit includes various bit sizes, and bit holder/extension all self-contained in a molded plastic case which doubles as the handle.

981084 Blue Box \$12

newBLUELUBE & BLUELUBE CLEANER



Introducing a newly formulated technology to help keep those knives tuned for smooth function. Start off with BLUELUBE Cleaner to flush and prep the moving parts for a fresh application of BLUELUBE. BLUELUBE not only lubricates, it prevents rust and corrosion, too. Both formulas work in tandem to enhance overall knife function and keep things moving like a well-oiled machine (without the build up).

983901 BLUELUBE Cleaner (4oz bottle) \$7.95
983900 BLUELUBE (1.25oz bottle w/ nozzle) \$6.50

SHEATHS & SHEATH ACCESSORIES

For those who prefer to carry knives sheath style, Benchmade offers several to choose from.

newMOLLE FOLDER POUCH SHEATH (MOLLE® Compatible)

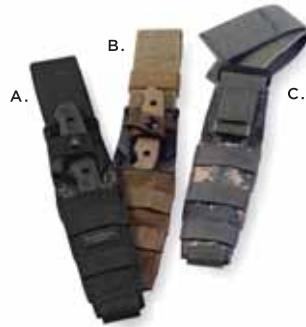


These snap-over hood closure pouches secure the knife well and can be used for belt carry with the Malice® clip (included), and are Molle system enabled, too. Heavy stitch and elasticized fit offer a true fit. Available in 3 different color options.

PART NUMBERS & PRICING

- A. 983466 Black MOLLE Folder Pouch \$20
- B. 983467 Coyote MOLLE Folder Pouch \$20
- C. 983853 Digital ACU MOLLE Folder Pouch \$20

newFIXED SHEATH (MOLLE® Compatible)



The new 140/141 fixed soft sheaths are designed to secure the knife in either right or left side carry. Sheaths come standard with Malice clip and Velcro® adjustable belt hanger for belt carry. Sheaths are also Molle system compliant. Heavy stitch and hard liners stow the knife securely and a snap-around closure snugs the handle. Available in 3 different color options.

PART NUMBERS & PRICING

- A. 983468 Black MOLLE Fixed Soft Sheath \$35
- B. 983469 Coyote MOLLE Fixed Soft Sheath \$35
- C. 983854 Digital ACU MOLLE Fixed Soft Sheath \$35

new5 HOOK POUCH (MOLLE® Compatible)



(A,B,C.) These Velcro® hood closure pouches secure the 5 Rescue Hook for belt carry, and are Molle system enabled with the Malice® clip (sold separately). Heavy stitch and elasticized fit offer a true fit. Available in 3 different colors.

PART NUMBERS & PRICING

- A. 981494 Black MOLLE 5 Hook Pouch \$8
- B. 983855 Coyote MOLLE 5 Hook Pouch \$8
- C. 983856 Digital ACU MOLLE 5 Hook Pouch \$8

newMALICE CLIPS (pictured above)

(D,E.) Injection molded connecting-clip to attach sheaths to Molle systems, or to use as a belt loop style carry. Clips secure closed with a snap-lock and require specific user action to disengage lock.

PART NUMBERS & PRICING

- D. 983550 Small Malice Clip (3" size) \$1.50
- E. 983551 Large Malice Clip (4.75" size) \$2

newFOLDER POUCH SHEATH



(A.) This sheath features a snap-buckle closure flap to change things up a bit. It can be worn as a belt carry, or lashed to a shoulder strap with the Velcro lash straps affixed to the sheath. (This folder sheath comes standard attached to the Model 155 sheath).

PART NUMBERS & PRICING

- A. 983170 Folder Pouch, black \$15

SOFT SHEATHS (pictured above)

(B.) For those individuals who prefer to carry their knives in a sheath, we offer a simple but effective design, which is available in several sizes. There are two different sizes (small 1.625" W x 5.00" D; large 2.00" W x 5.25" D) for folders, and additionally we offer one with a smaller second pocket to accommodate a Rescue Hook or small knife. We also offer a 4-inch Bali-Song sheath (not pictured). All soft sheaths are made of 1680 denier poly-ballistic nylon with liners and they are edged with nylon for a clean, no-snap finish. They feature Velcro® closures.

B. PART NUMBERS AND PRICING

- 981086 Soft Sheath, small size (1.625" W x 5.00" D), black \$10
- 981087 Soft Sheath, large size (2.00" W x 5.25" D), black \$10
- 981787 Soft Sheath, dual carry/pocket (2.00" W x 5.00" D), black \$12
- 981717 Soft Sheath, Bali-Song Model 40 Series, black \$10

SHEATH ACCESSORIES



We offer several carry accessories so you can modify your Benchmade sheaths to better suit your particular carry needs. These include: **A** Metal-clip w/lash tab; **B** Molded belt loop with bridge/hardware; **C** Tek-Lok® and **D** Perma-Clips®; individual lash tabs; and **E** Carry-Strap w/lash tab. (NOTE: Some items offer limited to model specific applications).

PART NUMBERS AND PRICING

- A. 981607 Metal-Clip w/lash tab (fits Model 5, 100, 140, 141, 145, 160, 175, 10510) \$10
- B. 981608 Molded Belt-Loop w/bridge (Model 100, 140, 141, 145) \$10
- C. 981609 Tek-Lok®, large size \$15
- D. 981610 Perma-Clips® for large Tek-Lok (set of 2) \$4
- E. 981611 Carry-Strap w/4-way lash-tab (metal-clip clips into this) \$10
- 981612 (not pictured) Lash-Tab (can be sewn onto clothing or gear) \$5

newBENCHMADE BRAG-BAG™ SYSTEM

Perfect for the knife collector to strut their stuff. The Brag-Bag is an ideal folio style carry case for folders, fixed blades and accessory items. So many sleeves, pockets and pouches you will as much fun filling it as you will "bragging" it up. A modular design allows you to add or delete pages to customize your selection at will.

BRAG-BAG BASE SHELL

A heavy constructed tri-fold folio (17.75" W x 10.50" folded H x 33" flat H) that can be used as is, or you can add up to two additional pages. Inside features 10 individual knife slot areas (6" D x 3" W) with Velcro closures and clear vinyl visibility for folders. And, behind the knife slots are full-width zippered flat files to accommodate catalogs and such. On the outer shell back are a zippered utility storage pouch, Molle® webbed area and a clear card holder.



Adjustable strap, snap-buckle closures; padded handle and an adjustable (1.50" W x 48" L) shoulder carry strap is removable. Additional pages (sold separately) are lashed in with a center cinch strap.

BRAG-BAG PAGES



Of the same heavy construction as the shell, pages feature individual knife slot areas with clear view areas and Velcro closures. These also have the full-width zippered flat files (one on each page side). Folder page (16.25" W x 20" L) has 10 individual knife slots with outer edge access. Fixed blade page (same page size as folder), has 4 individual knife slots (14" L x 3.50" W) with both ends accessible.

PART NUMBERS & PRICING

983445 Brag-Bag Base Shell \$60

983446 Brag-Bag Folder Page \$20

983447 Brag-Bag Fixed Blade Page \$20

BENCHMADE KNIFE ATTACHÉ



Now you can keep all of those Benchmades in one place... This soft carry-case holds up to 12 folders. Its shell is constructed of a heavyweight denier and is stitched plenty strong for lasting wear. A deep plush interior lining ensures scratch-free storage. A total of eleven, 1.50 x 5-inch pocket, with six pockets featuring a split-window for easier small

knife retrieval. Velcro® flap closure holds everything in place, and proudly displays the Benchmade name embroidered on its face.

981456 Knife Attaché \$35

POLO SHIRTS

Dress 'em up or dress 'em down, either way, Benchmade polos will say it proud. All polos feature the Benchmade logo embroidered on left front chest. Shirts are a medium weight 100-percent cotton fabric with 3-button welt collar and sleeve cuffs.

COLORED POLOS



Available in Royal Blue, Black or Red in sizes sml, med, lrg, Xlrg, 2Xlrg (specify shirt color/size when ordering). All color shirts feature silver color thread embroidered logo. \$40

WHITE POLOS

All white shirt in sizes sml, med, lrg, Xlrg, 2Xlrg (specify logo color/size when ordering). All color shirts feature silver color thread embroidered logo with choice of blue, black or red color butterfly in logo. \$35

JACKETS & VESTS

Warm up to one of these cool new Benchmade jackets or color vests! All are high quality items with their own unique features. Each is embroidered with the Benchmade logo on the left front chest.

newHOODED BLUE TEAM JACKET



Royal blue water repellent nylon shell with gray fleece lined hood and body. Zippered front, draw-cord bottom, elastic cuffs and draw-string hood. Available in sizes sml, med, lrg, Xlrg, 2Xlrg (specify size when ordering) \$65

newBLACK/GRAY SPORT JACKET



Benchmarked Cool! Designer styled urban look in a lightweight jacket. A nylon/cotton oxford shell with nylon mesh and taffeta lining to finish it out. Zippered front up and down, adjustable cuffs, zippered sleeve pocket and other functional features. Available in sizes sml, med, lrg, Xlrg, 2Xlrg (specify size when ordering) \$80

newREVERSIBLE COLOR VESTS



Wear 'em inside, wear 'em outside, or wear 'em inside out—they're reversible. The colored nylon side is water repellent and the black fleece side is just plain soft. Zippered front, zippered pockets and elastic waistband. Benchmark logo is embroidered in black color thread on color side only. Available in yellow, blue, red and titanium gray. Available in sizes sml, med, lrg, Xlrg, 2Xlrg (specify color/size when ordering) \$60

SWEATSHIRTS

newGRAYFLY HOODY



Nothing like a great looking sweatshirt to jump into on a weekend. This heavyweight pullover

sweatshirt is athletic gray with dark gray screen-printed artwork on hood and left sleeve. Drawstring hood, knit cuffs and waistband with front hand warmer pouch. Available in sml, med, lrg, Xlrg, 2Xlrg (specify size when ordering). \$40

BLACK SWEATSHIRT



Get one of these to wear on those "cool" days. Benchmark logo is embroidered in black color on left chest. Sweatshirts are black with royal blue trim a knit collar, cuffs and waistband. Available in med, lrg, Xlrg, 2Xlrg (specify size when ordering). \$40

HATS & HEADGEAR

newFLEXFIT® HAT



What better way to trap all of that brain matter in that with one of these high class hats? Black in color with silver embroidered logo on facing and American flag embroidered on front left panel. Available in sml-med size and lrg-Xlrg size (specify size when ordering). \$20

newBLUEHAT (pictured above)

All blue all the time. Full, formed hat with Velcro® adjust to size features silver logo embroidered on facing and American flag embroidered on left front panel. One size fits all. \$18

newLOGOBEANIE



Cover the cranium with Benchmark pride. A dark gray with black trim stretch cap comes with logo embroidered along bottom edge. No more bad hair day excuses—it's Benchmark. One size fits all. \$12

AND THERE'S MORE...

IF YOU LIKE WHAT YOU SEE HERE, CHECK OUT THE FULL LINE OF SPECIALTY GEAR ONLINE AT—

www.BENCHMADE.com

SPECIAL SERVICES



LIFESHARP® SERVICE

There's never a dull moment with a Benchmade... That's right! We will gladly sharpen your Benchmade knife to a factory razor sharp edge (service does not apply to any serrated portion of the blade). If you prefer us to sharpen your blade, or if you may have neglected to maintain your edge for a while, simply ship your knife to us. We'll not only sharpen it, we will also inspect the knife for any warrantied repairs and "tune" the knife for optimum performance. Simply ship the knife to the Benchmade address, postage paid and insured. Please enclose your return shipping address with \$5.00 to cover return shipping charges.

PERSONALIZED LASER MARKING

Put your name on it. Make it yours. Commemorate an event or outfit the club. Whatever the circumstance, now you can have your logo or artwork laser etched onto any of the Benchmade knives. Depending on the particular model, the mark can be placed either on the blades, or in some models, on the handles. If you are interested in this special service, simply call a Benchmade customer service representative at 800.800.7427. Basic set-up charges and quantity restrictions do apply.

THE ULTIMATE SOURCE

BENCHMADE.COM

Stay connected with everything Benchmade. From views of every Benchmade model configuration to creating a list of your personal favorites for future reference and improve your Benchmade cyberspace experience. For the new Benchmade visitor there's expanded product and technical information to make your "initiation" process easier. And for you Benchmade addicts, you can get your fix of the latest model introductions as well as share your knife knowledge and Benchmade experiences with the rest of the world. The web site also has a handy dealer locator so you can find your nearest source for cutting edge innovation close to home. Or, if you prefer, you can buy direct from the factory and have it shipped right to your door. So your inside track on everything Benchmade is only a click away at benchmade.com.

THE WARRANTY

LIMITED LIFETIME WARRANTY.

Benchmade Knife Company, Inc. ("Benchmade") warrants to the original owner that this knife will be free from defects in materials and workmanship. Benchmade will, without charge, repair or replace, at Benchmade's option, any knife returned for Warranty work and found to be defective by Benchmade. The knife must be shipped by owner prepaid and insured freight, together with a description of the problem, and must be accompanied by the original bill of sale, your charge or credit card receipt or any satisfactory proof of the original date of purchase from a retail dealer. Any automatic knife returned for Warranty service from outside of Oregon must also include a copy of the owner's active police or military identification, or be returned through the authorized Benchmade dealer from whom the knife was originally purchased. NO EXCEPTIONS WILL BE MADE.

WHAT IS COVERED

This Warranty covers replacement parts and labor

WHAT IS NOT COVERED

This Warranty does not cover normal wear, sharpening of the blade, damage caused by neglect, misuse or the failure to perform normal or necessary maintenance, disassembly of any knife by any person other than Benchmade's Warranty department, or shipping costs for returned knives.

Do not use your new knife as a screwdriver, prybar, chisel or punch. Do not throw your knife or use it for any purpose other than cutting. Do not disassemble your knife. Do not sharpen your knife on a power grinding wheel. Any of these acts will void your Warranty. **MINIMUM CHARGE TO REASSEMBLE A KNIFE WHEN THE WARRANTY HAS BEEN VOIDED IS \$20 PLUS PARTS.**

Repair or replacement as provided under this Warranty is the exclusive remedy of the consumer. Benchmade shall not be liable for any incidental, reliance, or consequential damages or breach of implied Warranty on this product, including any damage to person or property. Benchmade's liability under any circumstances is limited to the purchase price. Some states do not allow exclusion or limitation of incidental or consequential damages, so the above limitations or exclusions may not apply to you. This Warranty gives you specific legal rights, and you may also have other rights which vary from state to state.

This knife has only one use, as a cutting tool. Benchmade's knives carry no warranty except as expressly contained herein. Benchmade disclaims all warranties of merchantability and fitness for a

particular purpose other than for use as a cutting tool. There are no warranties which extend beyond the description contained herein.

Please review the Warranty information and proper knife care instructions provided with each knife.

The purchase, use and ownership of knives is subject to a wide variety of local laws and regulations. It is impossible for Benchmade Knife Company to know or interpret all of these laws. It is the responsibility of the buyer to be aware of the laws which govern them in their specific area wherever that may be. We encourage the responsible ownership and use of knives as one of mankind's oldest tools. Be smart and be safe.

Benchmade is proud to be a charter member of AKTI. Get involved. Help to protect your knife freedoms.

**JOIN AKTI TODAY!
877.752.8770 or www.akti.org**



The following are trademarks of Benchmade Knife Company, Inc., Oregon City, Oregon USA: Brag Bag; Blue Lube; Blue Morpho; Instigator; Rukus; Skirmish. • The following are registered trademarks of Benchmade Knife Company, Inc., Oregon City, Oregon USA: Benchmade; Activator; Actuator; Ambush; Apparition; Ares; AXIS; Bali-Song (butterfly logo); BenchKote (BK); Benchmite; BILT (Bolted In-Line Tang); BK1; BT2; ComboEdge; Gamer; Gravitator; Griptilian; InDraft; Juju; LEVITATOR; LifeSharp; MonoChrome; Nimravus; Offsider; Opportunist; Optimiser; Outbunder; Pika; Presidio; Prestigedges; Rant; Reflex; Resistor; Sequel; Snipe; Stryker; Switchback. • NOTE: We reserve the right to make any design and/or material modifications without prior notice. • Benchmade products are manufactured under one or more of the following patents: Safety Lock for Automatic Folding Knife- U.S. Patent No. 5,822,866; Blade Lock Mechanism for Folding Knife (Modified Locking Liner)- U.S. Patent No. 5,755,035; Pocket Knife With Lock (AXIS Lock)- U.S. Patent No. 5,737,841; Folding Knife (Design, Stryker Model)- U.S. Patent No. D408,706; Knife Blade (Design, Stryker Model)- U.S. Patent No. D409,070; Folding Knife With Grooved Handle (Design, Model 350, 3550)- U.S. Patent No. D397,017; Grooved Knife Handle (Design, 350, 3550)- U.S. Patent No. D397,020; Folding Knife (Design, Ascent Model)- U.S. Patent No. D385,173; Knife Design (Design, Ascent Model)- U.S. Patent No. D384,871; Portion Of A Blade For A Knife (Design, Pardue Model 720 Knife)- U.S. Patent No. D426,132; Knife Blade (Design Model 140/145)- U.S. Patent No. D425,389; Knife Handle (Design, Model 705)- U.S. Patent No. D428,789; Folding Tool - U.S. Patent No. 6,122,829; Knife Blade - U.S. Patent No. D438, 442; Knife Handle - U.S. Patent No. D447, 925; Folding Tool With a Lock and Automatic Opener - U.S. Patent No. 6,438,848; Folding Pocket Knife With a Lock - U.S. Patent No. 6,574,869; Folding Tool Locking Mechanism - U.S. Patent No. 6,675,484; Folding Tool - U.S. Patent No. 6,732,436; Folding Tool - U.S. Patent No. 6,789,323.

Other U.S. and Foreign Patents Pending.

IT'S AUTOMATIC

Benchmade Knife Company manufactures what are arguably the finest automatic* knives available in the world today. These knives are made to the same, exacting performance standards as the rest of our knives.



new
MODEL 5500
AUTO MINI-PRESIDIO®

*Within the United States, automatic open knives are subject to compliance with the Federal Statutes of interstate commerce.



Benchmade Knife Co. is proud to be the manufacturer of the NRA Outdoors line of knives. NRA Outdoors Knives are designed and produced by Benchmade to the exacting standards of the National Rifle Association of America. Utilizing the latest in high-tech materials, innovative mechanisms and unsurpassed manufacturing quality results in cutlery worthy of the NRA name. Ranging from traditional hunting and pocketknives to modern sporting cutlery, there's sure to be something for everyone.

NRA Outdoors Knives are just one part of the collection of field-tested and feature loaded "best in class" products, hand-selected by the NRA that comprise the NRA Outdoors program. The NRA believes that the products within the

NRA Outdoors program are so good that, for the first time ever, they put their name on them. Additional NRA Outdoors product categories include firearms, firearm accessories, hunting and camping equipment, optics, ATVs and other gear for those who appreciate the outdoors.

A portion of the proceeds from the sale of all NRA Outdoors products benefit wildlife conservation, youth programs, hunter education, firearm safety and other programs that protect America's heritage and preserve it for future generations.

Protect, Preserve, Pursue.

Visit www.nraoutdoors.com and get outdoors today!

BENCHMADE[®]
300 BEAVERCREEK ROAD
OREGON CITY, OR 97045

PRSRST STD
US POSTAGE
PAID
OREGON CITY, OR
PERMIT NO. 25



BENCHMADE KNIFE COMPANY, INC
300 BEAVERCREEK ROAD
OREGON CITY, OREGON 97045 USA

TELEPHONE
800.800.7427 503.655.6004

FAX
503.655.6223 503.655.7922

EMAIL
INFO@BENCHMADE.COM

WEB
BENCHMADE.COM

All trademarks and copyrights are the property of
Benchmade Knife Company, Inc.
Notice, one or more patents may apply.
©2006 BENCHMADE KNIFE CO, INC • Printed in USA

